

# Jøtul F 230

Jøtul F 230  
Manual Version P03

UK - Installation and Operating Instructions



Jøtul F 232



Jøtul F 233



Jøtul F 234



Jøtul F 235



*The manuals which are enclosed with the product must be kept throughout the product's entire service life.*

Register your fireplace at [jotul.com](http://jotul.com) for a 25-year warranty



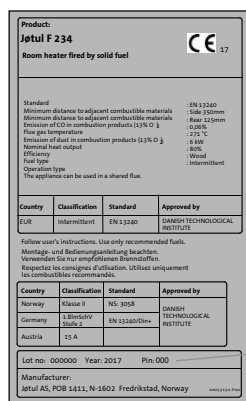
Requirements / Exigences / Requisitos / Requisiti / Vereisten / Forderungen	
Supplier / Fabricante / Fornitore / Vereisten / Lieferant:	Jøtul AS
Product models Produits concernés Modelos Modelli Product modellen Varianten der Feuerstelle	<b>Jøtul F 230 Series:</b> Jøtul F 232 Jøtul F 233 Jøtul F 234 Jøtul F 235
Energy efficiency class / Classe énergétique / Clase de eficiencia energética / Classe energetica / Energie efficiëncy klasse / Energieeffizienz-Klasse	A+
Direct heat output / Puissance réelle de sortie / Potencia calorífica emitida / Emissione di calore diretta / Directe warmte afgifte / Nennwärmeleistung	6 kW
Energy efficiency index / Index de rendement énergétique/ Índice de eficiencia energetica / Indice di efficienza energetica / Energie efficiëncy index / Energieeffizienz-Index	107,0
Efficiency at nominal heat output / Rendement à puissance nominale / Eficiencia al rendimiento nominal / Efficienza alla potenza nominale / Efficiency bij nominale warmte afgifte / Wirkungsgrad bei Nennheizleistung	80 %
<ul style="list-style-type: none"> <li>• Any specific precautions that shall be taken when the local space heater is assembled installed or maintained.</li> <li>• Toutes les précautions spécifiques doivent être prises lors de l'assemblage, l'installation ou l'entretien de l'appareil.</li> <li>• Cualquier precaución específica que deba tenerse en cuenta durante el montaje, instalación o mantenimiento del equipo de calefacción</li> <li>• Precauzioni specifiche da prendere quando il riscaldatore viene assemblato, installato o mantenuto in uno spazio.</li> <li>• Eventuele specifieke voorzorgsmaatregelen die worden genomen wanneer de plaatselijke ruimteverwarming wordt gemonteerd, geïnstalleerd of onderhouden.</li> <li>• Besondere Maßnahmen bei Montierung, Installation und Wartung.</li> </ul>	<ul style="list-style-type: none"> <li>• Fire safety precautions such as safety distances when installing, national standards, local codes and regulations. See the Instructions manual.</li> <li>• Les précautions d'incendie telles que les distances de sécurité lors de l'installation, le suivi des normes, les codes locaux et les réglementations nationales. Veuillez lire le manuel d'installation.</li> <li>• Precauciones frente a incendios como distancia de seguridad en la instalación, estándares nacionales, códigos locales y reglamentos. Lea el manual de instalación.</li> <li>• Precauzioni per la sicurezza antincendio come le distanze di sicurezza durante l'installazione, le normative nazionali e locali. Leggere il manual.</li> <li>• Brandveiligheidsmaatregelen, zoals veiligheidsafstanden bij installatie, nationale normen, lokale codes en voorschriften. Lees de installatiehandleiding.</li> <li>• Für brenntechnische Verhältnisse, wie z.B. Aufstellbedingungen und nationale Forderungen. Siehe die Montage- und Bedienungsanleitung.</li> </ul>



## Table of contents

1.0	Relationship to the authorities .....	4
2.0	Technical data.....	4
3.0	Safety.....	5
4.0	Installation .....	8
5.0	Daily use .....	15
6.0	Maintenance .....	16
7.0	Service.....	17
8.0	Operational problemes - troubleshooting.....	20
9.0	Optional Equipment .....	21
10.0	Recycling.....	21
11.0	Guarantee terms.....	22

Register your fireplace at [jotul.com](http://jotul.com) for a 25-year warranty.



On all our products there is a label indicating the serial number and year. Write this number in the place indicated in the installation instructions.

Always quote this serial number when contacting your retailer or Jøtul.

Serial no.

## 1.0 Relationship to the authorities

Installation of a fireplace must be according to local codes and regulations in each country.

All local regulations, including those which refer to national and European standards, must be observed when installing the product.

The installation can only be put into use after it has been checked by a qualified inspector. Contact your local building authorities before installing a new fireplace.

## 2.0 Technical data

Material:	Cast iron / steel plate
Finish:	Black paint
Fuel:	Wood
Log length, max.:	33 cm
Flue outlet:	Top, rear
Flue pipe dimension:	Ø 150 mm

Approx. weight:	
- Jøtul F 232:	129 kg
- Jøtul F 233:	130 kg
- Jøtul F 234:	153 kg
- Jøtul F 235:	150 kg

Optional extras:	Glass floor plate (small or large) Modules for chimney coupling Extra kit for rear outlet Extra kit for top outlet
------------------	---

Dimensions, distances: See fig. 1 & fig. 2

### Technical data in acc. with EN 13240 / NS 3058

Nominal heat output:	6 kW
Flue gas volume:	5,3 g/s
Chimney draught, EN 13240:	12 Pa
Recommended negative pressure in smoke outlet:	16-20 Pa
Efficiency:	80%
CO emissions (13 % O <sub>2</sub> ):	0.06%
CO emissions (13 % O <sub>2</sub> ):	803 mg / Nm <sup>3</sup>
NOx at 13% O <sub>2</sub> :	81 mg / Nm <sup>3</sup>
OGC at 13 % O <sub>2</sub> :	43 mg/Nm <sup>3</sup>
Air consumption:	16-25 m <sup>3</sup> /h
Chimney temperature EN 13240:	271 °C
Dust (13 % O <sub>2</sub> ):	<21 mg/Nm <sup>3</sup>

Type of fuel:	Wood
Recommended log length:	27-30 cm
Max. log length:	33 cm
Fuel consumption:	1,9 kg/h
Max. kindling amount:	2,25 kg
Nominal kindling amount:	1,5 kg
Operation:	Intermittierende

Intermittent combustion in this context means normal use of the fireplace, i.e. fuel is added as soon as the fuel has burnt down to a suitable amount of embers.

## 3.0 Safety

**NB! To guarantee optimal performance and safety, Jøtul recommends that its stoves are fitted by a qualified installer (see [www.jotul.com](http://www.jotul.com) for a complete list of dealers).**

Any modifications to the product may result in the product and safety features not functioning as intended. The same applies to the installation of accessories or optional extras not supplied by Jøtul. This may also be the case if parts that are essential to the functioning and safety of the fireplace have been disassembled or removed.

In all these cases, the manufacturer is not responsible or liable for the product and the right to make a complaint becomes null and void.

### The Clean Air Act

“The Clean Air Act 1993 and Smoke Control Areas”. Under the Clean Air Act local authorities may declare the whole or part of the district of the authority to be a smoke control area. It is an offence to emit smoke from a chimney of a building, from a furnace or from any fixed boiler if located in a designated smoke control area. It is also an offence to acquire an “unauthorised fuel” for use within a smoke control area unless it is used in an “exempt” appliance (“exempted” from the controls which generally apply in the smoke control area). The Secretary of State for Environment, Food and Rural Affairs has powers under the Act to authorise smokeless fuels or exempt appliances for use in smoke control areas in England. In Scotland and Wales this power rests with Ministers in the devolved administrations for those countries. Separate legislation, the Clean Air (Northern Ireland) Order 1981, applies in Northern Ireland. Therefore it is a requirement that fuels burnt or obtained for use in smoke control areas have been “authorised” in Regulations and that appliances used to burn solid fuel in those areas (other than “authorised” fuels) have been exempted by an Order made and signed by the Secretary of State or Minister in the devolved administrations. Further information on the requirements of the Clean Air Act can be found here: <http://smokecontrol.defra.gov.uk/> Your local authority is responsible for implementing the Clean Air Act 1993 including designation and supervision of smoke control areas and you can contact them for details of Clean Air Act requirements”.

**The Jotul F 232, F 233, F 234 and F 235 stoves have been recommended as suitable for use in smoke control areas when burning wood logs and when fitted with a mechanical stop to prevent that the secondary air valve cannot be closed lower than 798 mm<sup>2</sup>.**

### 3.1 Fire Prevention Measures

There is a certain element of danger every time you use your fireplace. The following instructions must therefore be followed:

- The minimum safety distances when installing and using the fireplace are given in **fig. 1**. The specified distance to flammable materials, applies to this stove. The stove must be installed with a CE approved flue. The distance of the flue pipe to combustible materials must also be observed
- Ensure that furniture and other flammable materials are not too close to the fireplace. Flammable materials should not be placed within **1000 mm (F 233/F235)** and **1100 mm (F 232/F 234)** of the fireplace

- Allow the fire to burn out. Never extinguish the flames with water
- The fireplace becomes hot when lit and may cause burns if touched
- Only remove ash when the fireplace is cold. Ash can contain hot embers and should therefore be placed in a nonflammable container
- Ash should be placed outdoors or be emptied in a place where it will not present a potential fire hazard

### In case of chimney fire:

- Close all hatches and vents
- Keep the firebox door closed
- Check the loft and cellar for smoke
- Call the fire service
- Before use after a fire an expert must check the fireplace and the chimney in order to ensure that it is fully functional

## 3.2 Floor

### Foundation

You need to make sure the foundation is suitable for a fireplace. See »**2.0 Technical Data**« for specified weight.

We recommend the removal of any flooring that is not attached to the foundation (“floating floors”) beneath the installation.

### Requirements for protection of wooden flooring beneath the fireplace

Jøtul F 230 has a heat shield underneath which protects the base from radiation. The product has an integrated floor protection and may therefore be placed directly on a wooden floor.

### Requirements for protection of inflammable floors in front of the fireplace

The front plate must comply with national laws and regulations.

Contact your local building authorities regarding restrictions and installation requirements.

## 3.3 Walls

**Distance to combustible wall protected by firewall - see fig. 1b**

**Distance to walls made of combustible material - se fig. 1b.**

The fireplace may be used with an uninsulated flue pipe provided the distances between the fireplace and walls made of combustible materials are as shown in **fig. 1b**.

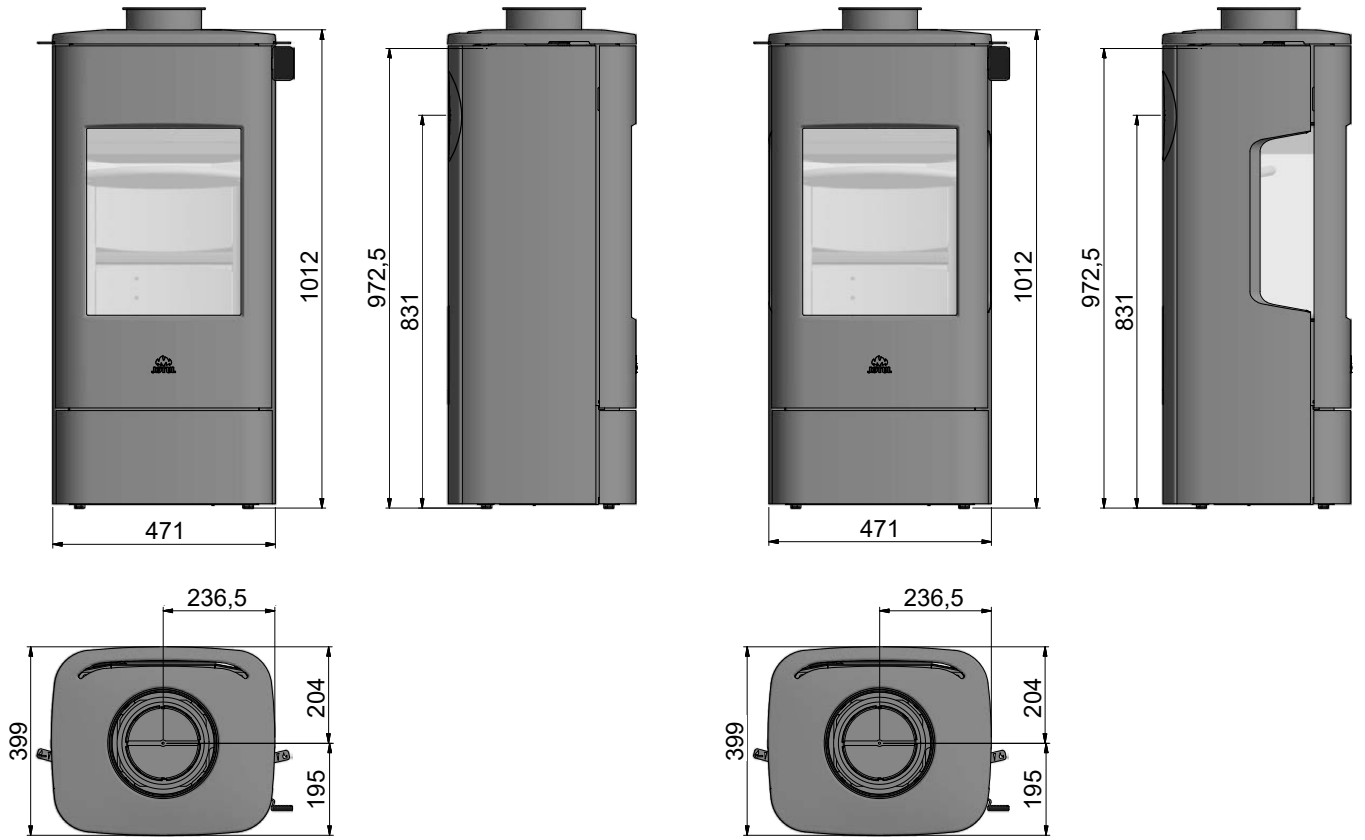
Ensure that furniture and other flammable materials are not too close to the fireplace. Flammable materials should not be placed within **1000 mm (F 233/F235)** and **1100 mm (F 232/F 234)** of the fireplace.

## 3.4 Ceiling

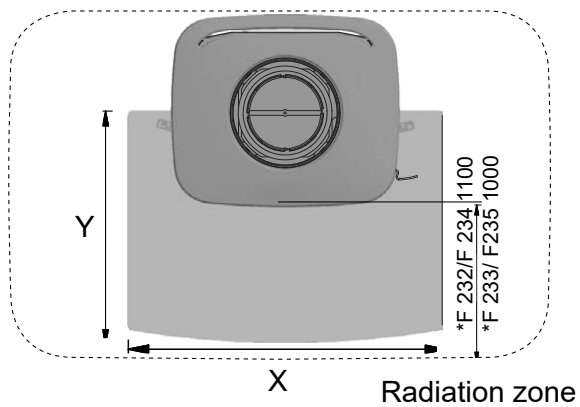
There must be a minimum distance of **400 mm** to a combustible ceiling above the fireplace.

Jøtul F 232

Jøtul F 233



Floorplate



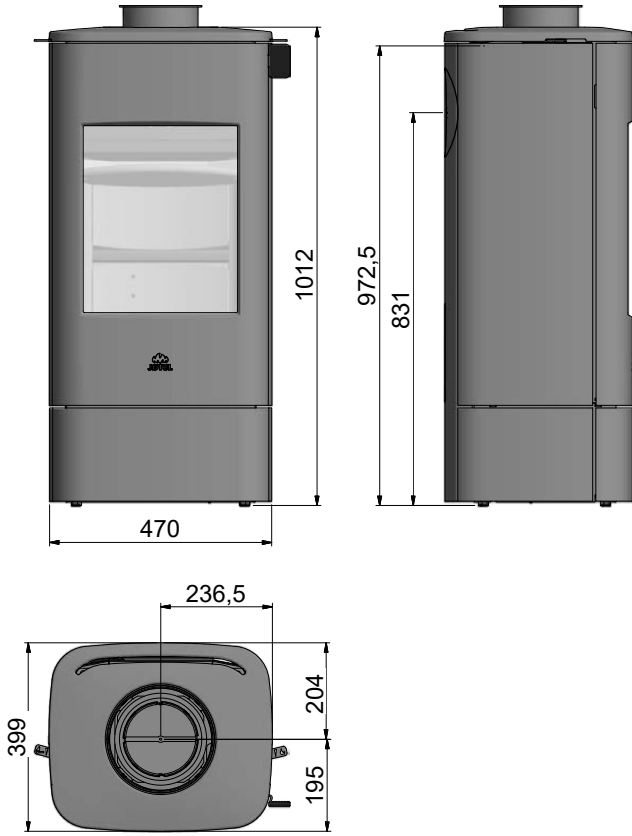
Min. measurement floorplate

X/Y acc. to national standards

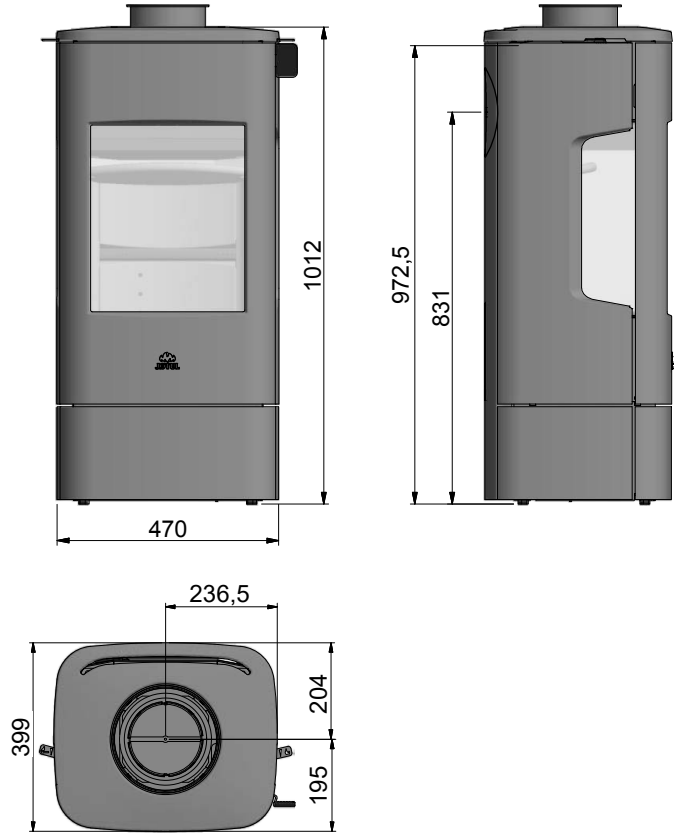
\* Min. distance to furniture / combustible material

Fig. 1a

Jøtul F 234



Jøtul F 235



## Fresh air supply

The air used for combustion in any well-insulated house needs to be replaced. This is particularly important in houses with mechanical ventilation. This can be done by using a balanced flue pipe.

The most important thing is to supply the air to the room where the stove is placed. **Important! Ensure that air vents in the room where the fireplace is located are not blocked.**

For the fresh air supply connection, follow the national and local building regulations.

## 4.0 Installation

- Before installing the fireplace, check it carefully for any signs of damage
- The product is heavy! Ask someone to help you when positioning and installing it
- Make sure that furniture and other household items are at a safe distance from the fireplace to protect them from drying out
- Do not place anything on the top plate of the stove as this could cause permanent damage to the paint/enamel

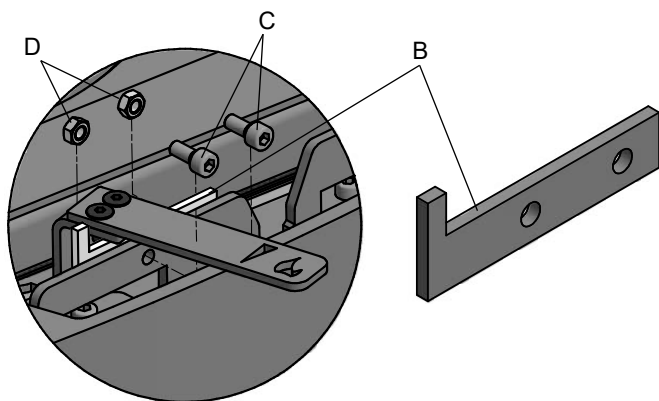
### 4.1 Prior to installation

The standard product is delivered assembled.

1. Remove the top plate (A).

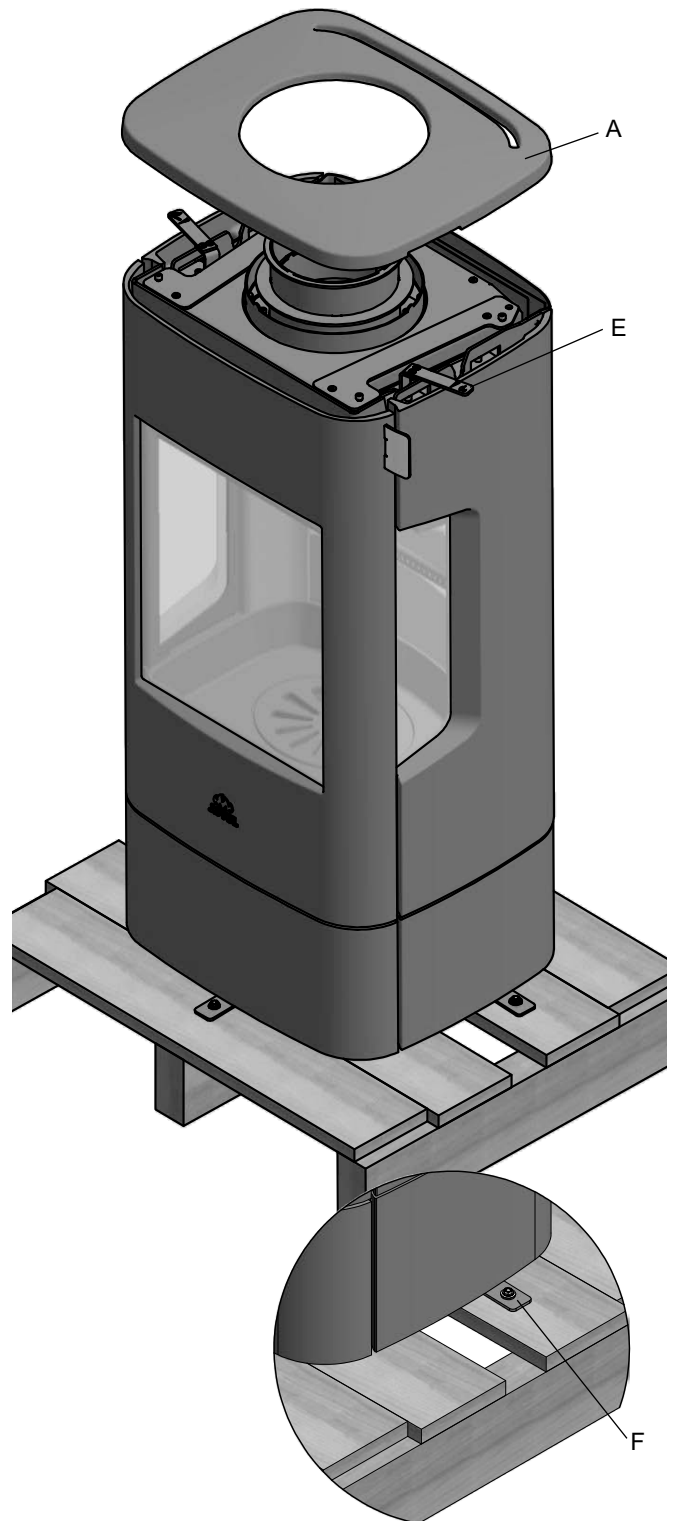
### Requirement for UK

The Jotul F 232, F 233, F 234 and F 235 stoves have been recommended as suitable for use in smoke control areas when burning wood logs and when fitted with a mechanical stop to prevent that the secondary air valve cannot be closed lower than 798 mm<sup>2</sup>. **Note!** In order to achieve this see the instruction below.



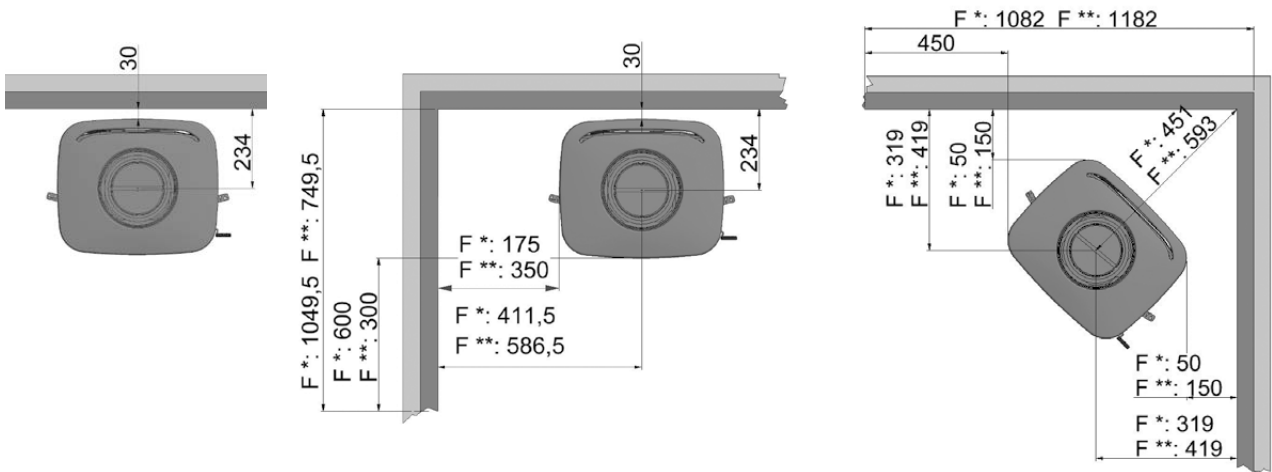
2. The AEA - blocking (B) is mounted with the 2 screws (C) and the 2 nuts (D) at the stove's secondary air valve (E)

3. Remove the three transportation safety screws (F) in the sides and at the front in order to free the stove from the pallet.

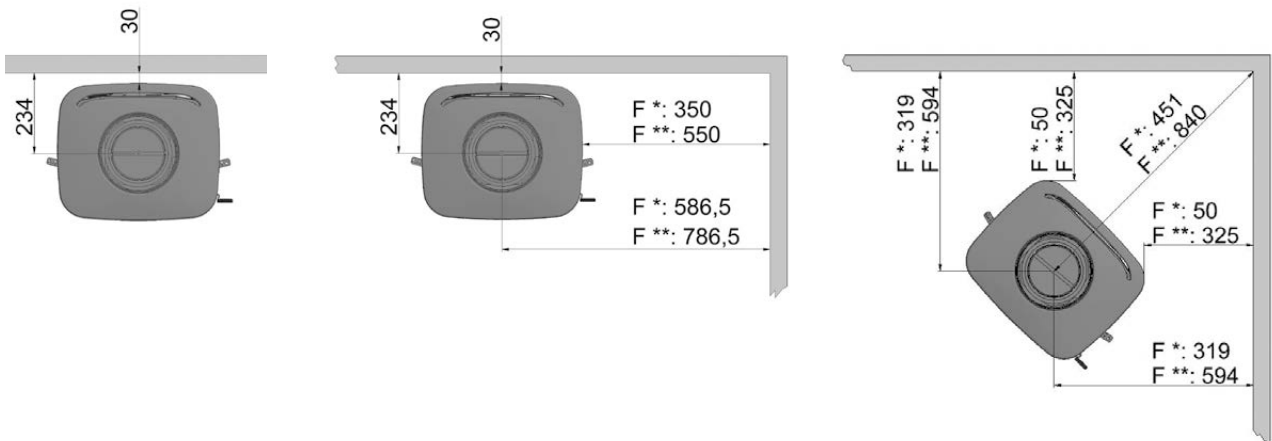




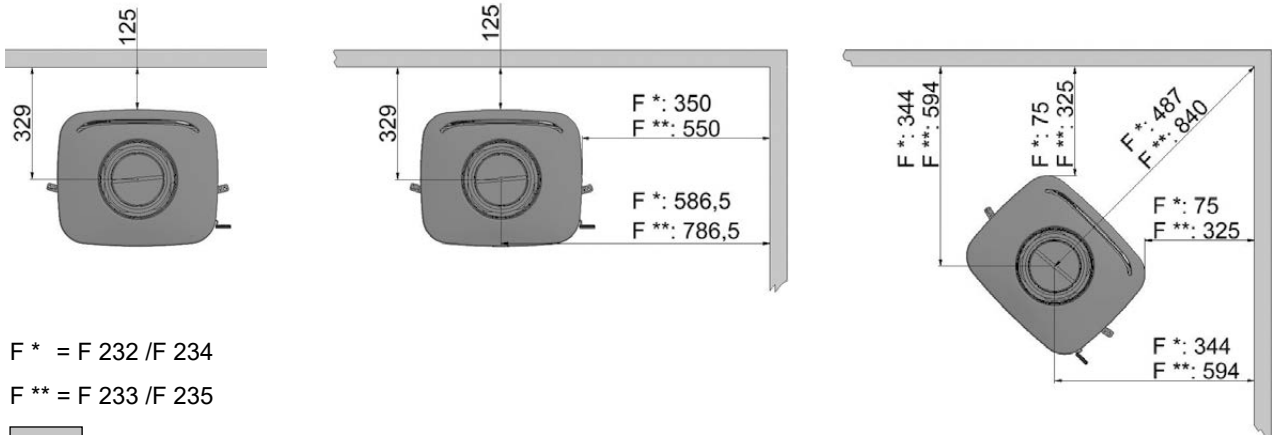
Min. distance to firewall with insulated flue pipe + décor ring



Min. distance to combustible wall with insulated flue pipe + décor ring





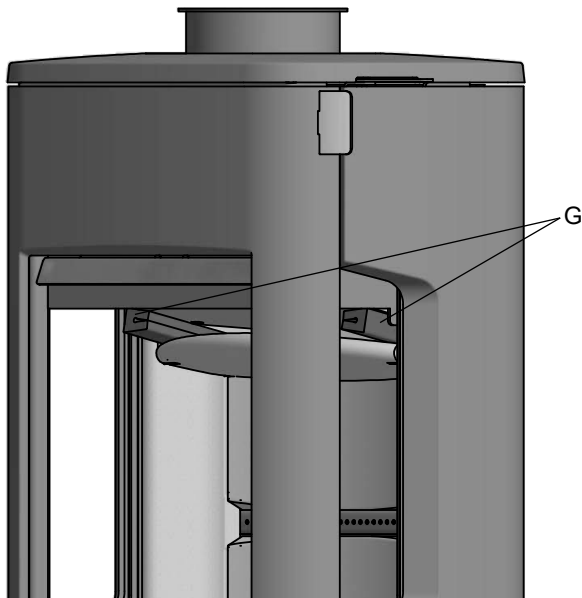
Min. distance to combustible wall without insulated flue pipe



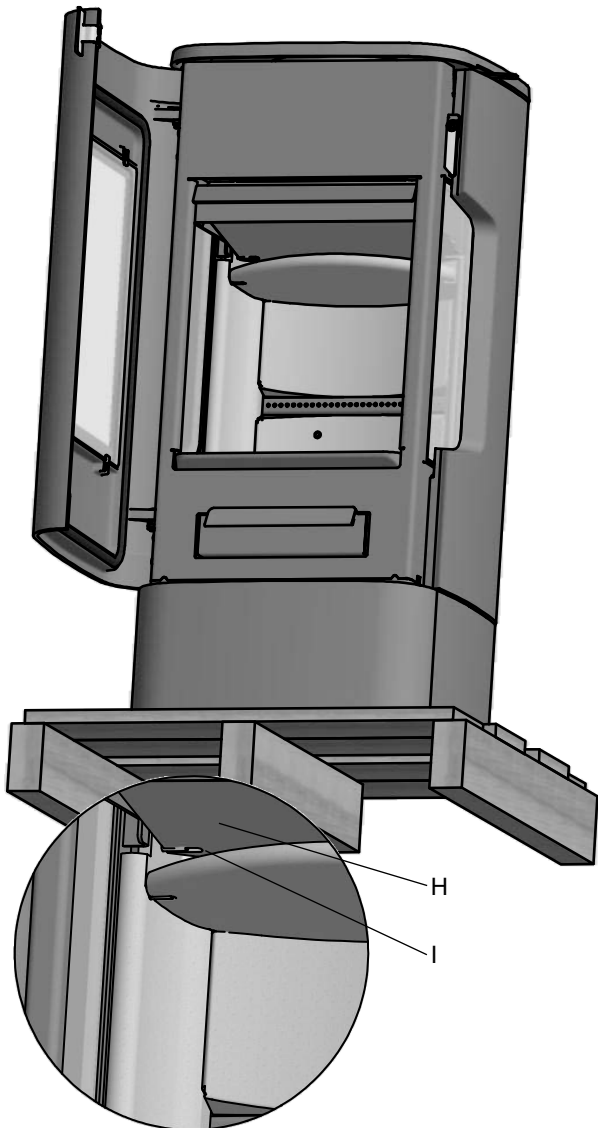
F\* = F 232 / F 234

F\*\* = F 233 / F 235

-  Combustible wall
-  Firewall Fx. 50 mm. Jøtul Firewall



4. Remove the transportation protection (**G**) between the smoke deflectors before start using the stove.



5. Place the middle baffle (**H**) on the pins (**I**).

## 4.2 Chimney and flue pipe

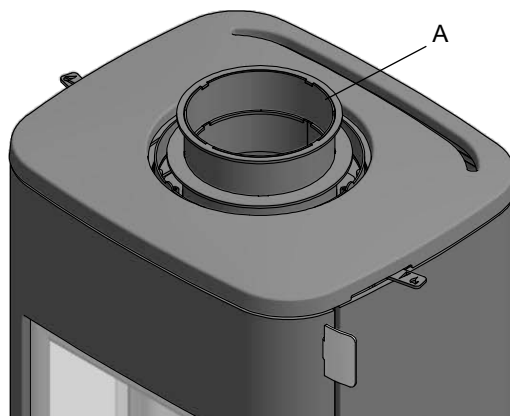
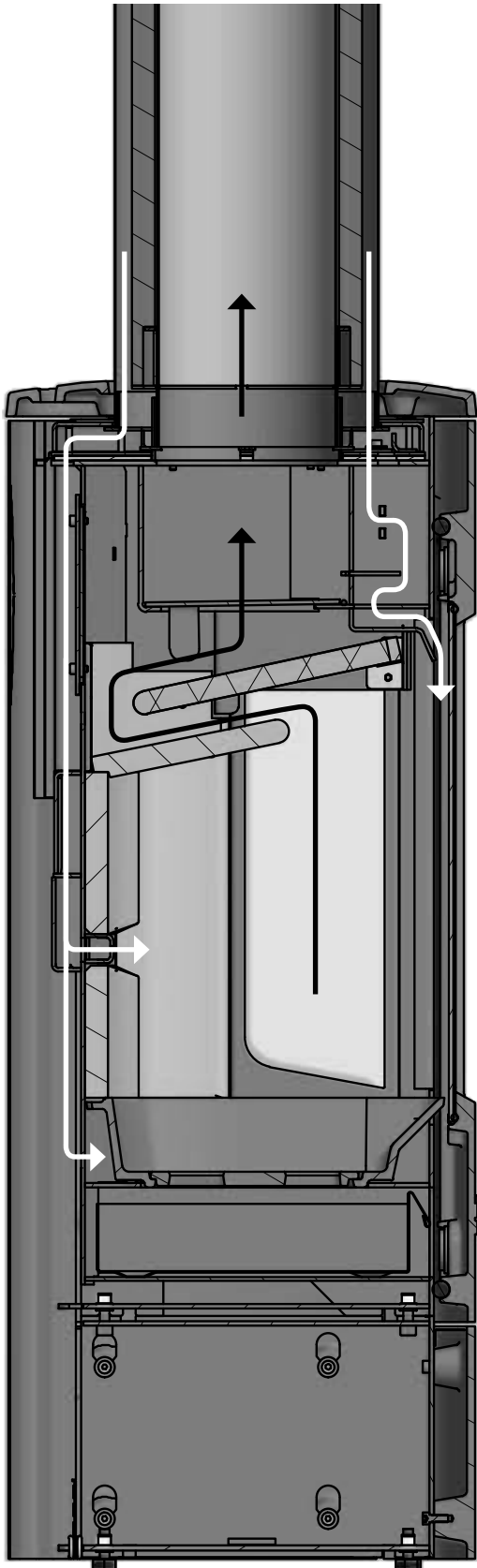
- The fireplace must only be connected to a chimney and flue pipe approved for solid fuel fireplaces with flue gas temperatures as specified in «**2.0 Technical Data**»
- The specified distance to flammable materials, applies to this stove
- The distance of the flue pipe to combustible materials must also be observed
- The cross-section of the chimney must be designed to fit the fireplace. Use «**2.0 Technical Data**» calculate the correct chimney cross-section
- The chimney must be connected in accordance with the installation instructions of the chimney supplier
- Before a hole is made in the chimney, the product should be test-mounted in order to correctly mark the position of the fireplace and the hole in the chimney. See **fig. 1** for minimum dimensions
- The flue pipe must be CE-certified. Please note that the distance to combustible materials can be defined by the flue pipe's distance to combustible materials.
- With a rear outlet, use a flue pipe bend with a sweep hatch to allow sweeping
- Please note that it is extremely important for connections to have a degree of flexibility. This is to prevent any movement in the installation leading to the formation of cracks
- For recommended chimney draught, see «**2.0 Technical Data**». For flue pipe dimension see «**2.0 Technical Data**»

**NB!** The minimum recommended chimney length is 3.5 m from the flue pipe insert. If the draught is too strong, a flue pipe damper can be installed and used to reduce the draught.

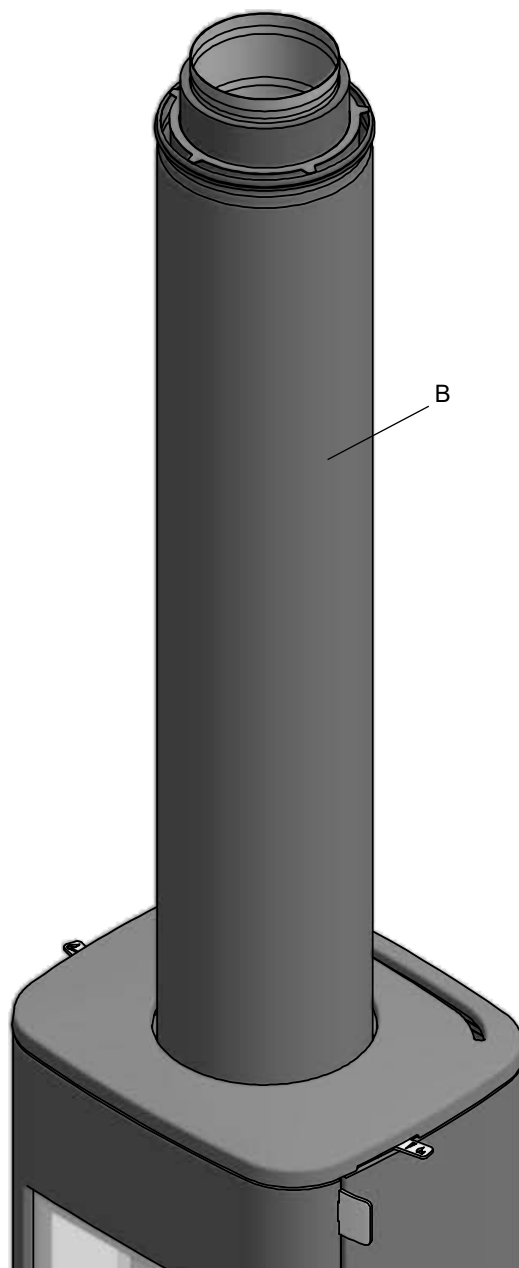
## Mounting of the balanced flue pipe (delivered as standard)

The stove is prepared for a balanced vent from the factory.

The chimney consists of a double pipe. The outer pipe is used by the stove to draw in fresh air for the combustion. The inner pipe is used by the stove to exhaust the burnt gases. This is called a balanced vent.



1. The adapter (**A**) delivered with the stove fits the Jøtul NVI 2000 Combi.



2. You should always start with a half-insulated chimney length (**B**). The first module is mounted directly on the adapter. (Read more under "9.0 Optional Equipment").

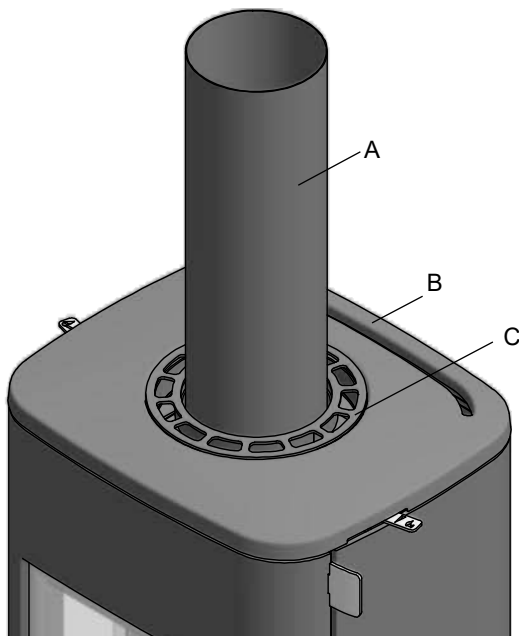
**NB! It is important for the joints to be sealed completely. Air leaks may prevent them from operating properly.**

## Assembly of flue pipe with ordinary (non-balanced) outlet

### Uninsulated flue pipe with top outlet

Please note: For connection to an ordinary un-insulated flue pipe (with top- or rear outlet) we refer to point 9.3 and 9.4 for the necessary accessories.

1. Position the product correctly (see fig. 1).

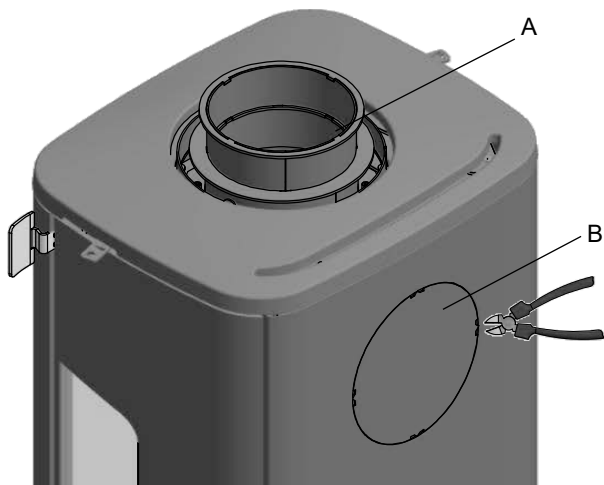


2. Position the décor ring (accessory) (C) in the top outlet.
3. Pass the flue pipe (A) through the décor ring (C) and the top plate and mount it in the connecting piece.

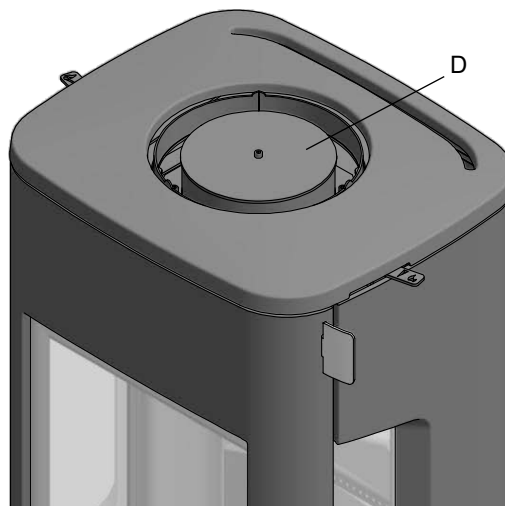
**NB: It is important for the joints/flue pipes to be sealed completely. Air leaks may prevent them from operating properly.**

### Flue pipe with rear outlet

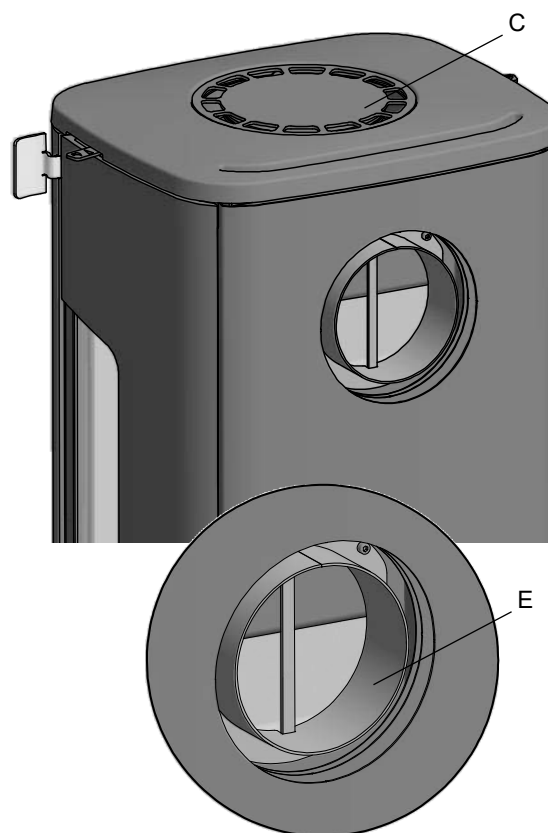
The product is assembled with the smoke outlet (A) fitted for a top outlet as standard.



1. If you want a rear outlet, the cover plate (B) at the rear of the stove must be removed with a pair of cutting nippers.



2. Place the cover (accessory) (D) in the top outlet and fasten it.



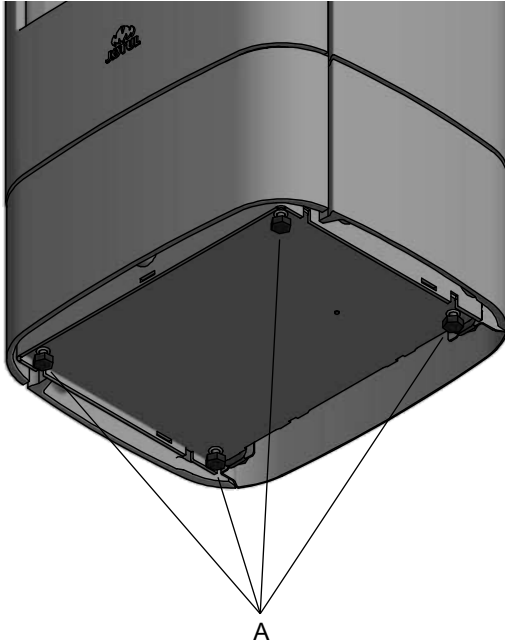
3. Then position the décor ring (accessory) (C) in the top outlet.
4. Fasten the connecting piece for standard chimney (accessory) in the rear outlet (E).

**NB: It is important for the joints/flue pipes to be sealed completely. Air leaks may prevent them from operating properly.**

### 4.3 Height adjustment

Level the product using the 4 adjustment screws (A).

**NB:** If using a glass floor plate, the product should be raised about 8-10 mm from the floor using the 4 adjustment screws.

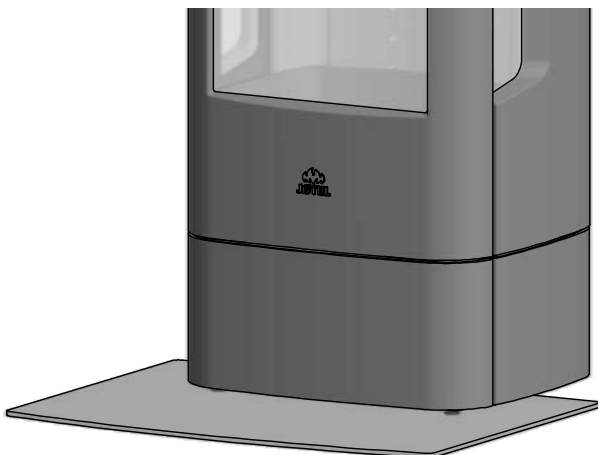


### 4.4 Floor plate (Optional equipment)

If you are placing the stove on a flammable floor, you must comply with the national and local regulations on the size of any non-flammable subsurface required to cover the floor around the stove.

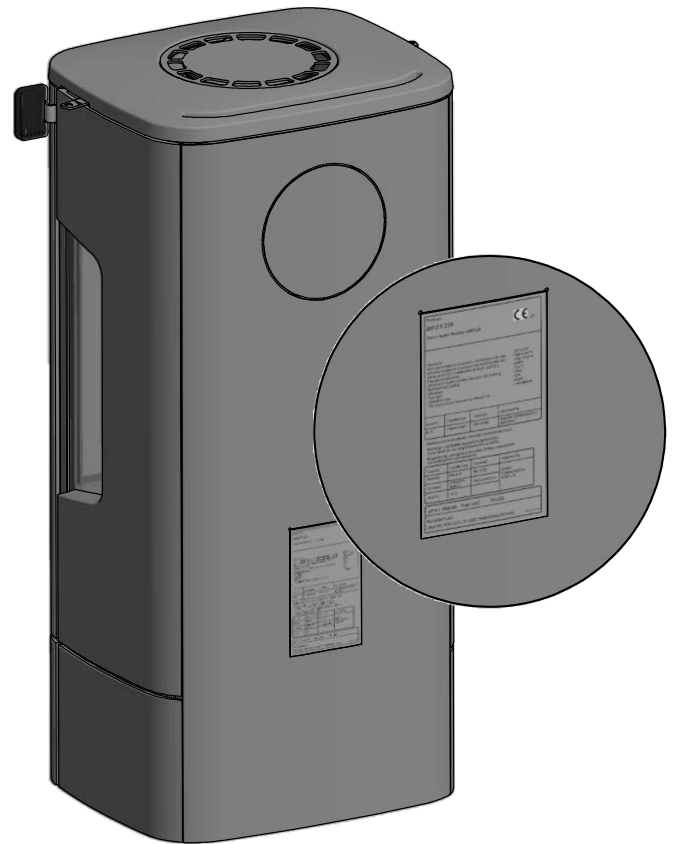
Your local Jøtul dealer can advise you on regulations concerning protection of flammable materials in the vicinity of your stove.

The floor plate's function is to protect the floor and flammable material against any sparks that may occur. The floor plate from Jøtul is made of glass, but the stove can also be placed on tiles, natural stones or similar.



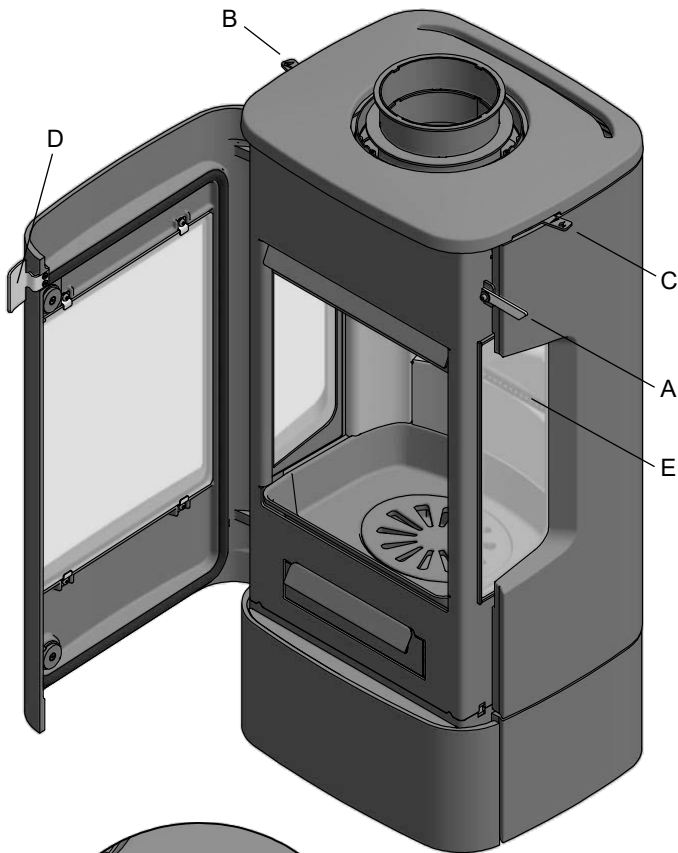
### 4.5 Location of approval label

The approval label placed at the rear of the stove, indicates the test standards and distances to flammable materials. (This label is important for the approval of the product).



## 4.6 Performance check

Once the product has been assembled, always check the control handles. These should move and work in a satisfactory manner.



Jøtul F 230 is equipped with the following operating options:

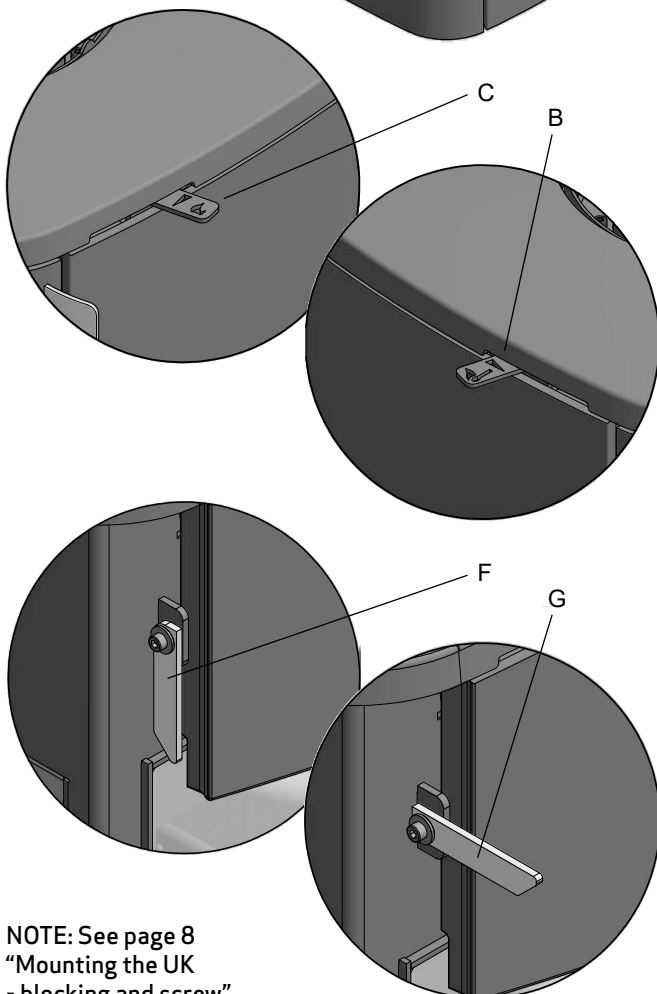
**Lever for igniting the stove (A):**  
Vertical position (F): Closed  
Horizontal position (G): Open

**Ignition lever (Air through the bottom) (B)**  
Pushed back: Open  
Pulled forward: Closed

**Secondary combustion lever (Glass air wash) (C)**  
Pushed back: Open  
Pulled forward: Closed

**Door handle (D):**  
Open by pulling the handle.

**Stacking height for logs (E)** (*The holes must not be covered.*)



NOTE: See page 8  
"Mounting the UK  
- blocking and screw"

## 5.0 Daily use

### Odours when using the fireplace for the first time

When the fireplace is used for the first time, it may emit an irritating gas which may smell slightly. This happens because the paint dries. The gas is not toxic but the room should be thoroughly ventilated. Let the fire burn with a high draught until all traces of the gas have disappeared and no smoke or odours can be detected.

### Heating advice

**NB!** Logs that have been stored outdoors or in a cold room should be brought indoors 24 hours before use to bring them up to room temperature.

There are various ways of heating the stove but it is always important to be careful about what you put in the stove. See the section on “**Wood quality**”.

### Wood quality

**By quality wood we mean most well-known types of wood such as birch, spruce and pine.**

**The logs should be dried so that the moisture content is no more than 20%.**

To achieve this, the logs should be cut during the late winter. They should be split and stacked in a way that ensures good ventilation. The wood stacks should be covered to protect the logs from rain. The logs should be brought indoors during early autumn and stacked/stored for use in the coming winter.

**Be especially careful never to use the following materials as fuel in your fireplace:**

- Household rubbish, plastic bags, etc.
- Painted or impregnated timber (which is extremely toxic)
- Laminated wooden planks
- Driftwood

These may harm the product and are also pollutants.

**NB! Never use petrol, paraffin, methylated spirit or similar liquids to light the fire. You may cause serious injury to yourself and damage to the product.**

### Wood consumption

Jøtul F230 has a nominal heat output of ca. 6 kW.

Use of wood, with nominal heat emission: Approx. 1,9 kg/h.

#### Kindling:

Length: Approx. 27-30 cm, Diameter: 2-5 cm

Amount per fire: 6-8 pieces

#### Firewood (split logs):

Length: 27-30 cm, Diameter: Approx. 8 cm

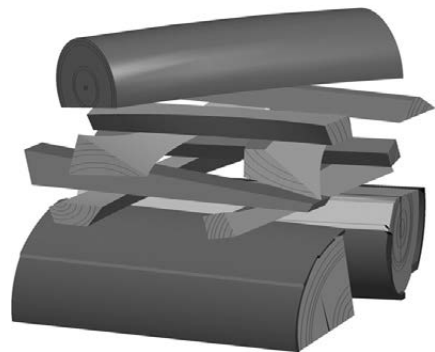
Intervals for adding wood: Approximately every 50 minutes

Size of the fire: 1,5 kg (nominal effect)

Amount per load: 3 pieces

## 5.1 Use

- Open vents for ignition and secondary combustion by pushing both handles backwards **(B)(C)**. (Use a glove, as the handle can become hot)
- Place two logs 27-30 cm on each side of the base. **NB!** In order to avoid sooting on the glass, it is important that the log is not placed adjacent to the glass on the product
- Gradually increase the size of the fire, but the wood should not be stacked higher than the horizontal holes on the back burn plate **(E)**
- Finally, place a medium-sized log on the top of the pile.
- Place 2 or 3 briquettes or kindling sticks under the top layer of kindling and light the fire
- Pull out the lever **(A, pos G)** for ignition of the stove.
- Check that the afterburning (secondary combustion) starts. This is best indicated by yellow, flickering flames under the baffle
- When the fire has caught well, open the door slightly, so that the ignition lever **(A)** falls down **(pos. F)**. Then close the door. The door must always be closed when the fire is lit
- Then regulate the rate of combustion to the desired level of heating by adjusting the secondary combustion vent **(C)**.



### Adding firewood

Stoke the stove frequently but only add small amounts of fuel at a time. If the stove is filled too full, the heat created may cause extreme stress in the chimney. Add fuel to the fire in moderation. Avoid smouldering fires as this produces the most pollution. The fire is best when it is burning well and the smoke from the chimney is almost invisible.

## 5.2 Danger of overheating

### The fireplace must never be used in a manner that causes overheating

Overheating occurs when there is too much fuel and/or too much air so that too much heat develops. A sure sign of overheating is when parts of the fireplace glow red. If this happens, reduce the air vent opening immediately.

*Seek professional advice if you suspect that the chimney is not drawing properly (too much/too little draught).*

## 5.3 How wind and weather affect the stove

The performance of the stove can be affected considerably by the wind acting on the chimney at different strengths. It may therefore be necessary to adjust the air supply to ensure good combustion performance. It might also be a good idea to install a damper in the flue pipe so that the chimney draught can be regulated according to the strength of the wind.

Fog and mist can have a significant impact on the chimney draught and it might be necessary to use other combustion air settings to ensure good performance.

## 5.4 Refueling on to a low fire bed

If there is insufficient burning material in the fire bed to light a new fuel charge, excessive smoke emission can occur. Refueling must be carried out onto a sufficient quantity of glowing embers and ash that the new fuel charge will ignite in a reasonable period. If there are too few embers in the fire bed, add suitable kindling to prevent excessive smoke.

## 5.5 Operation with door left open

Operation with the door open can cause excess smoke. The appliance must not be operated with the appliance door left open except as directed in the instructions.

## 5.6 Dampers left open

Operation with the air controls or appliance dampers open can cause excess smoke. The appliance must not be operated with air controls, appliance dampers or door left open except as directed in the instructions.

## 5.7 Fuel overloading

The maximum amount of fuel specified in this manual should not be exceeded, overloading can cause excess smoke.

## 6.0 Maintenance

### 6.1 Ash removal

The fireplace has an ash pan which makes it easy to remove the ashes.

- Only remove ashes when the fireplace is cold
- Push/pull the handle for the ash grate/ignition vent out and in several times so that the ashes fall down into the ash pan. Use something like a glove to grab the handle on the ash pan
- Make sure that the ash pan doesn't fill up so high that it keeps ash from coming through the grate into the pan

### 6.2 Cleaning the glass

The product is equipped with an air wash for the glass. Air is sucked in through the air vent on the top of the product and down along the inside of the glass.

However, some soot will always stick to the glass, but the quantity will depend on the local draught conditions and adjustment of the air vent. Most of the soot layer will normally be burned off when the air vent is opened all the way and a fire is burning briskly in the fireplace.

**Good advice!** For normal cleaning, moisten a paper towel with warm water and add some ash from the burn chamber. Rub it over the glass and then clean the glass with clean water. Dry well. If it is necessary to clean the glass more thoroughly we recommend using a glass cleaner (*follow the instructions on the bottle*).

### 6.3 Cleaning and soot removal

Soot deposits may build up on the internal surfaces of the fireplace during use. Soot is a good insulator and will therefore reduce the fireplace's heat output. If soot deposits accumulate when using the product, they can be easily removed by using a soot remover.

In order to prevent a water and tar layer from forming in the fireplace you should regularly allow the fire to burn hot in order to remove the layer. An annual internal cleaning is necessary to get the best heating effect from the product. It is a good idea to do this in connection with the sweeping of the chimney and flue pipes.

### 6.4 Sweeping of flue pipes to the chimney

On certain free-standing fireplaces the top plate can be lifted off and the pipe swept through the top.

Otherwise, flue pipes must be swept through the flue pipe sweeping hatch or through the product's door opening. Then, the baffle plates must be removed.



## 6.5 Inspection of the fireplace

Jøtul recommends that you personally inspect your fireplace carefully after sweeping/cleaning.

Check all visible surfaces for cracks. Also check that all joints are sealed and that the gaskets are in the correct position. Any gaskets showing signs of wear or deformation must be replaced.

## 6.6 Exterior maintenance

Painted products may change colour after several years usage. The surface should be cleaned and brushed free of any loose particles before new paint is applied.

**Important!** Never place anything on the top plate of the stove. This could cause permanent damage to the paint or enamel.

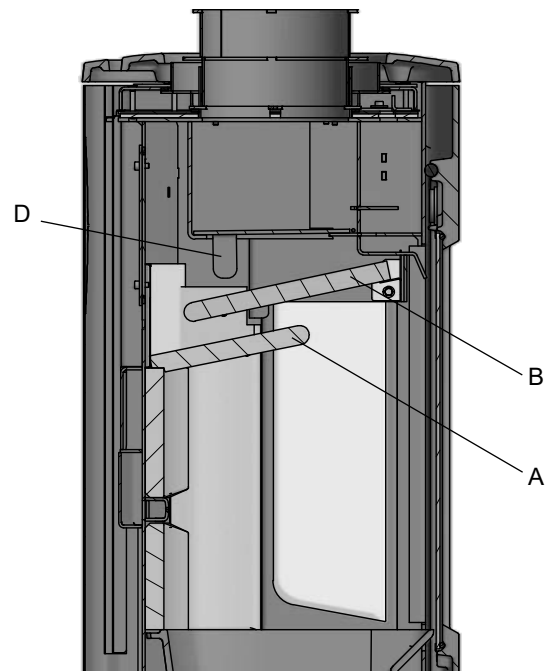
## 7.0 Service

**Any unauthorised modifications to the product are prohibited! Only original spare parts may be used!**

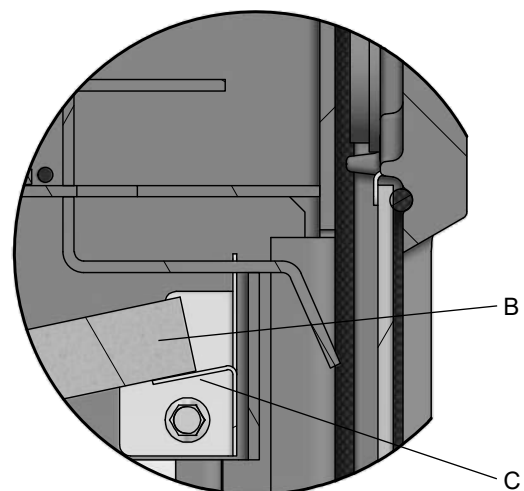
### 7.1 Replacing parts in the burn chamber

Use tools with great care, when baffle plates and the combustion chamber lining are removed from the fireplace. Be aware that the vermiculite plates may be damaged by rough treatment.

#### Replacing the baffle plates



1. Lift the lower baffle (A), remove the pins (E) and take out the baffle plate (A).



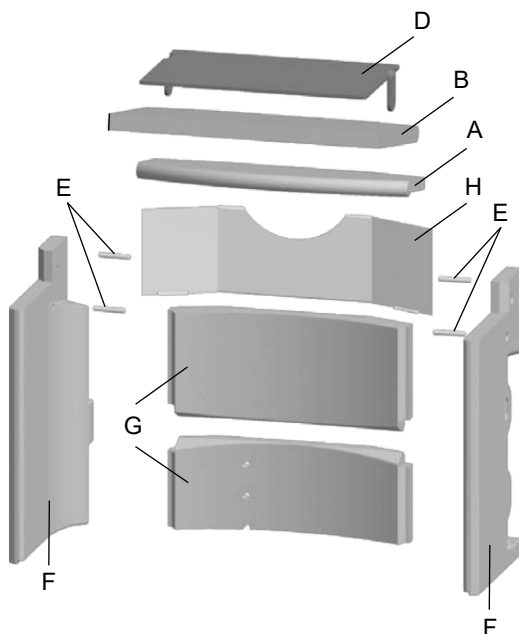
2. Lift up the middle baffle plate (B) at the rear of the combustion chamber. Remove the pins (E). Pull the plate free of the holder (C) and take it out. After that you can tilt out the upper metal baffle (D).

## Replacing the combustion chamber lining

First remove the baffles (see page 15).

1. Lift the side plates (F), release them from the rear plates (G) and take them out. Please be aware that the sides (F) support the rear plates (G) and that these may therefore tip over, when the sides are taken out.
2. Take out the rear plates (G) and the heat shield (H).

When refitting, follow the same procedure in reverse order.

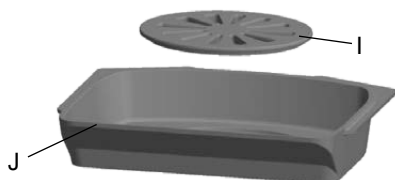


## Replacing the inner bottom and fire grate

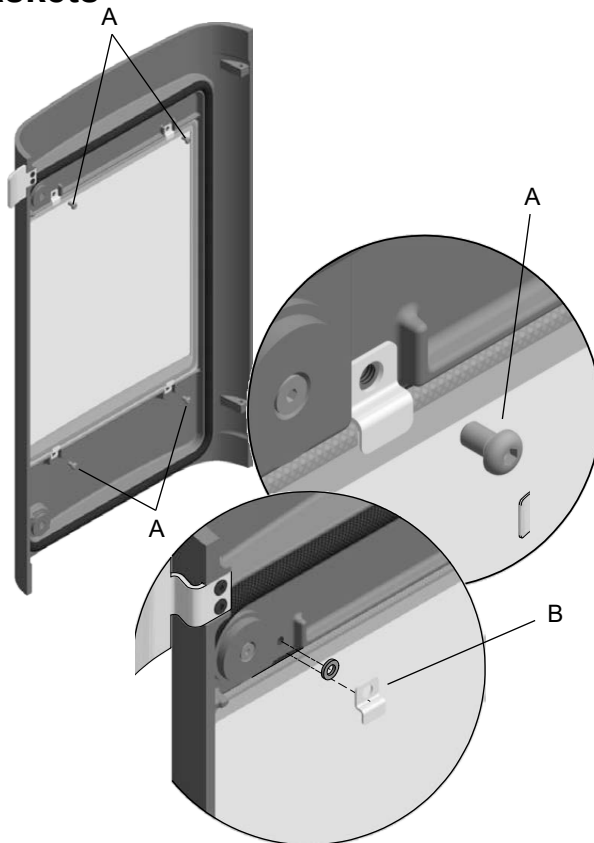
First remove the combustion chamber lining (see above).

1. Remove the fire grate (I).
2. Lift the front of the inner bottom (J) and twist it out of the burn chamber.

When refitting, follow the same procedure in reverse order.

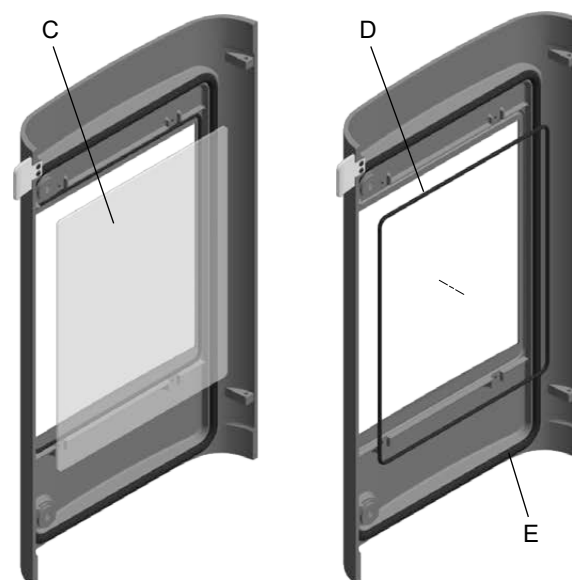


## 7.2 Replacing the door glass and gaskets



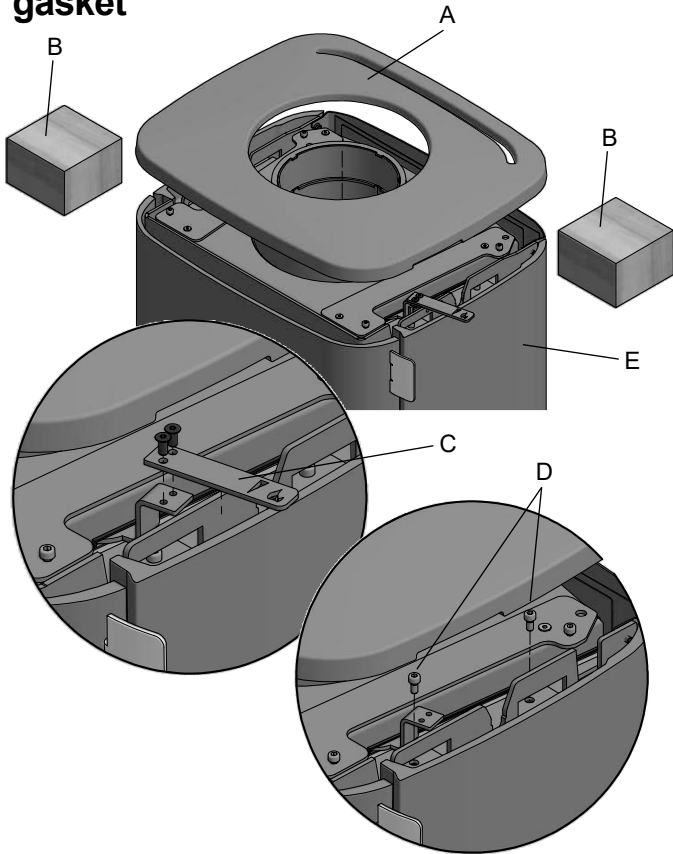
1. In order to replace the glass, first loosen the lower 2 screws (A), that attach the brackets and discs (B) to the door. Then unscrew the upper 2 screws (A).

Be very careful and support the glass, when you remove the screws and brackets!

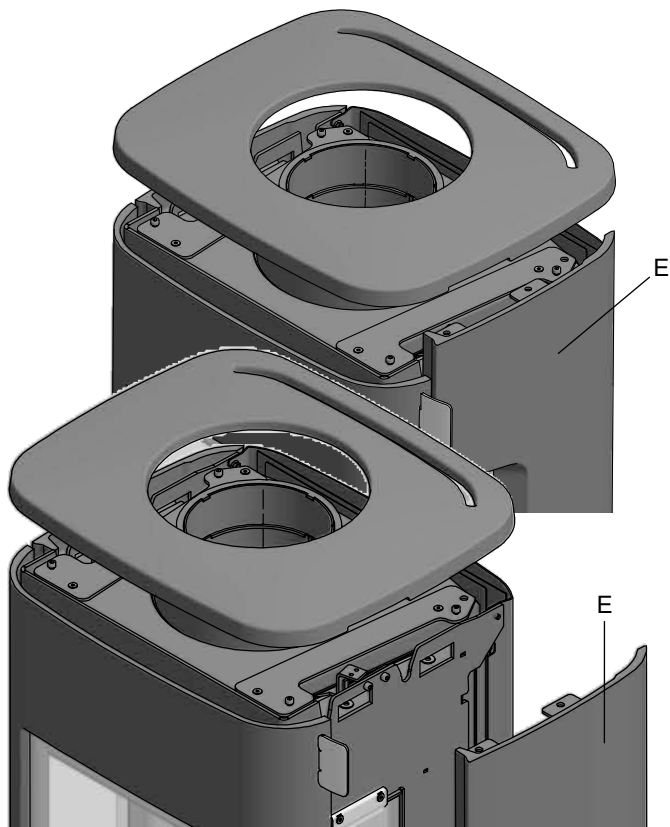


2. Gently remove the glass (C). Remove the damaged gasket (D). Clean the gasket groove, and press the new gasket into place.
3. Once all damaged gaskets have been replaced, refit the door glass and the brackets.
4. For replacement of the large gasket (E), first clean the gasket groove and then glue on the gasket.

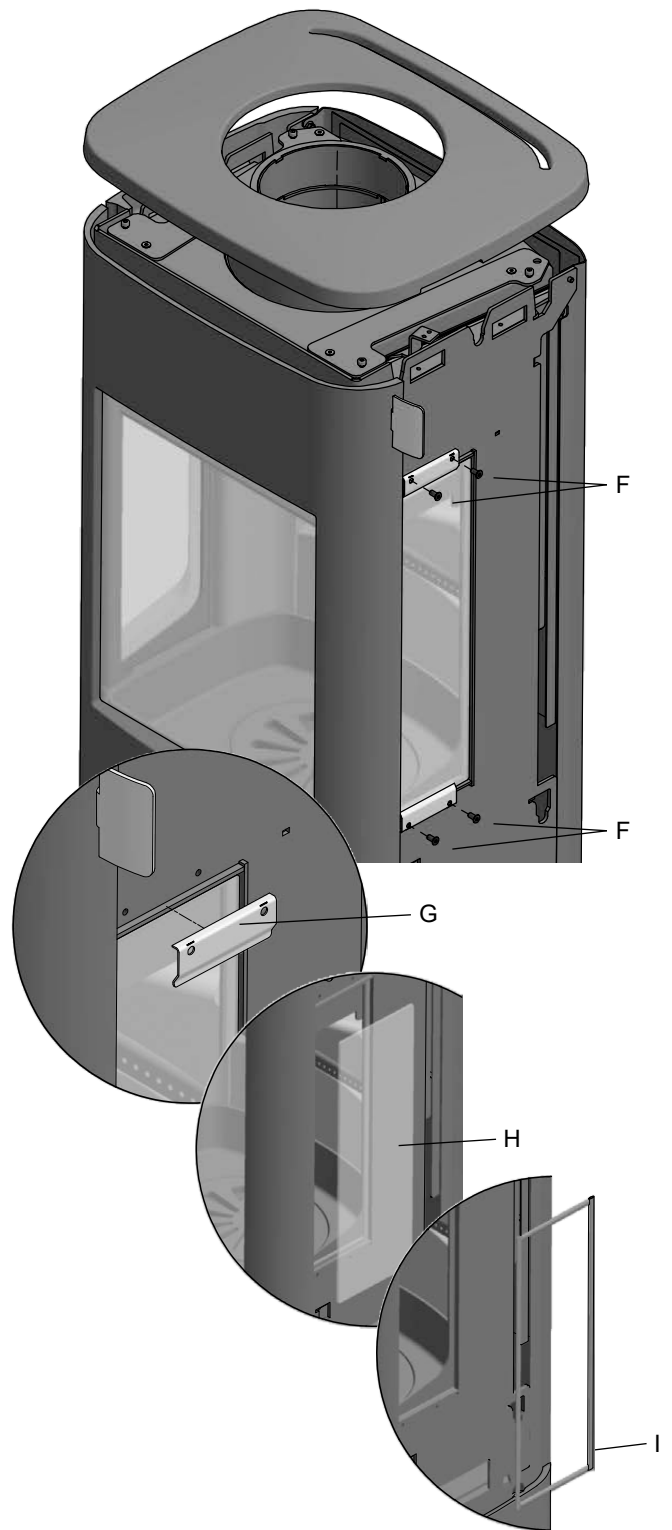
### 7.3 Replacing the side glass and gasket



1. Lift carefully the top plate (A) and place 2 wooden blocks (B) between the stove and the top plate. Unscrew the air vents (C) in each side of the fireplace. Then unscrew the 4 screws (D) holding the lateral plates (E).



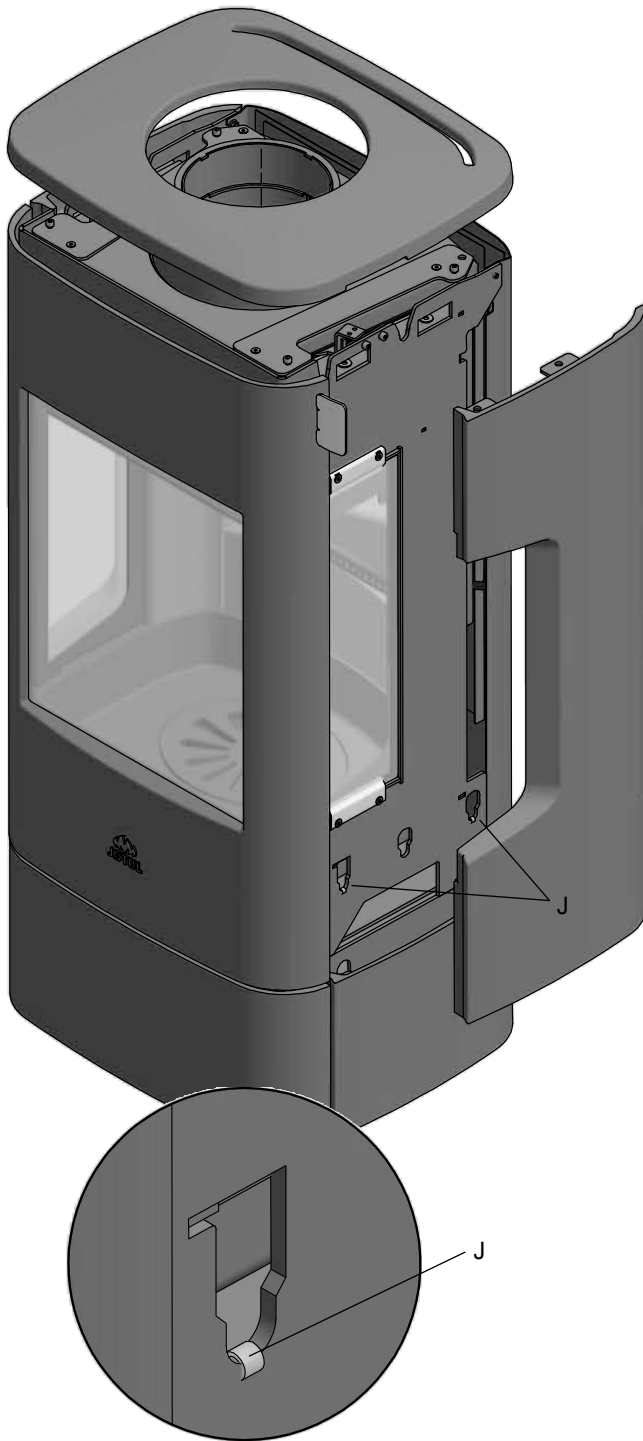
2. Pull up the lateral plates (E) and pull them out.



3. For replacement of the lateral glass (H), first loosen the lower 2 screws (F), that attach the brackets (G) to the side glass (H). Then unscrew the upper 2 screws (F). You can lubricate the screws with a rust solvent (WD40), if they are stuck.

**Be very careful and support the glass, when you remove the screws and brackets!**

4. Remove lower brackets and screws (F+G). Gently remove the glass (H) and old gaskets. (I). Clean the gasket groove, and press the new gaskets into place.
5. After replacing all old gaskets, place the glass centrally in the frame and remount the brackets.



**When remounting the lateral plates, please be careful that the silicone rings (J) do not fall out!**

## 8.0 Operational problems - troubleshooting

### Poor draught

- Check the length of the chimney and that it complies with national laws and regulations. (See also «**2.0 Technical data**» and «**4.0 Installation**» (Chimney and flue pipe))
- Make sure that the minimum cross section on the chimney is according to «**2.0 Technical data**»
- Make sure that there is not anything preventing the smoke gases from escaping: branches, trees, etc.
- Upon suspicion of excessive/poor draught in the chimney, seek professional help for measurement and adjustment

### The fire extinguishes after a while

- Make sure that the firewood is sufficiently dry
- Find out whether there is negative pressure in the house, close mechanical fans and open a window close to the fireplace
- Check that the air vents are open
- Check that the flue outlet is not clogged by soot

### Unusual amount of soot accumulates on the glass

Some soot will always stick to the glass, but the quantity depends on:

- Moisture in the fuel
- The local draught conditions
- The air vents opening

Most of the soot will normally burn off when the air vents are opened all the way, and a fire is burning briskly in the fireplace.

## 9.0 Optional equipment

### 9.1 Shaped floor plate

Glass, small - art. no. 50052435

Glass, large - art. no. 50052436

### 9.2 Jøtul NVI 2000 Combi chimney lengths

1150 cm - art. no. 158004

550 cm - art. no. 158005

250 cm - art. no. 158006

(For further modules, see NVI's catalogue for Combi chimneys)

### 9.3 Extra kit for uninsulated flue pipe/top outlet

1 décor ring - art. no. 51053189

### 9.4 Extra kit for rear outlet

1 connecting piece, 1 cover plate, 1 décor ring, 2 self-adhesive gaskets 8x3 mm, 4 Allen screws M5x10, 1 Allen screw M5x50 FZB - art. no. 51053190

### 9.5 Adjustment key

for height adjustment of the stove - art no. 51054418

## 10.0 Recycling

### 10.1 Recycling packaging

Your fireplace is delivered with the following packaging:

- A wooden pallet that can be cut up and burned in the fireplace
- Cardboard and styrofoam wrapping should be taken to a local recycling facility
- Plastic bags should be taken to a local recycling facility

### 10.2 Recycling the fireplace

- Metal should be taken to a local recycling facility
- **Glass should be disposed of as hazardous waste. The glass in the fireplace must NOT be placed in a regular source segregation container**
- Vermiculite burn plates can be disposed of in regular waste containers

# 11.0 Guarantee terms

## 1. Our guarantee covers:

Jøtul AS guarantees that the external cast-iron parts are free from defects in materials or manufacturing at the time of purchase. You may extend the guarantee on the external castiron parts to 25 years from the date of delivery by registering the product on [jotul.com](http://jotul.com), and print out the extended guarantee card within three months of purchase.

We recommend that the guarantee card be kept together with the receipt. Jøtul AS also guarantees that steel plate parts are free from defects in materials or manufacturing at the time of purchase for a period of 5 years from the date of delivery.

The guarantee applies on the condition that the stove has been installed by a qualified installer in accordance with applicable laws and regulations and Jøtul's installation and operating instructions. Repaired products and replacement items are guaranteed within the original guarantee period.

## 2. The guarantee does not cover:

**2.1.** Damage to consumables such as burn plates, fire grates, flue baffles, gaskets and similar as these deteriorate over time due to normal wear and tear.

**2.2.** Damage caused as a result of improper maintenance, overheating, use of unsuitable fuel (e.g. of unsuitable fuel are, but not limited to driftwood, impregnated wood, plank offcuts, chipboard ) or too moist / wet wood.

**2.3.** Installation of optional extras for the purpose of rectifying local draught conditions, air supply or other circumstances beyond Jøtul's control.

**2.4.** Cases involving alterations / modifications to the fireplace without Jøtul's consent or the use of non-original parts.

**2.5.** Damage caused during storage at a distributor, transport from a distributor or during installation.

**2.6.** Products sold by unauthorized sellers in areas where Jøtul operates a selective distribution system.

**2.7.** Associated cost (e.g. but not limited to, transport, manpower, travel) or indirect damages.

Pellets stoves, glass, stone, concrete, enamel and paint finish (e.g. but not limited to chipping, cracking, bubbling or discolouration and crazing) are applicable to the national legislation governing the sale of consumer goods. This guarantee is valid for purchases made within the territory of the European Economic Area.

All guarantee inquiries must be addressed to your local authorized Jøtul dealer within a reasonable amount of time, which shall not be later than 14 days from the date on which the fault or defect first became apparent. See list of importers and dealers on our web site [jotul.com](http://jotul.com).

If Jøtul is unable to meet the obligations outlined in the above guarantee terms, Jøtul will offer a replacement product with a similar heating capacity free of charge.

Jøtul reserve the right to decline of any replacement of parts or service in the event that the guarantee is not registered online. This guarantee does not affect any rights under applicable national legislation governing the sale of consumer goods. The national complaint right applies from the purchase date and only in exchange for a receipt / serial number.



Cat.no. 10056017-PO3  
Jøtul AS, Aug. 2021

Jøtul pursue a policy of constant product development. Products supplied may therefore differ in specification, colour and type of accessories from those illustrated and described in the brochure.

### **Quality**

Jøtul AS has a quality system that conforms to NS-EN ISO 9001 for product development, manufacturing, and distribution of stoves and fireplaces. This policy gives our customers quality and safety piece of mind as a result of Jøtul's vast experience dating back to when the company first started in 1853.



**Jøtul AS,**  
P.O. box 1411  
N-1602 Fredrikstad,  
Norway  
[www.jotul.com](http://www.jotul.com)