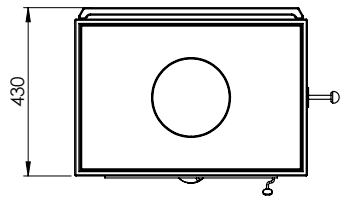
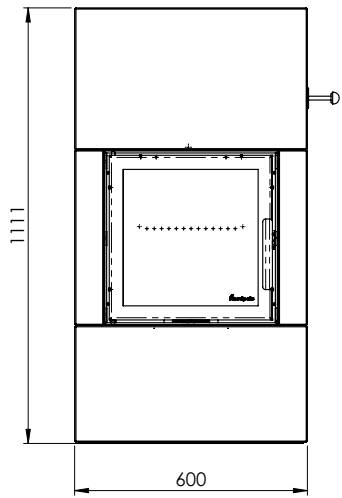
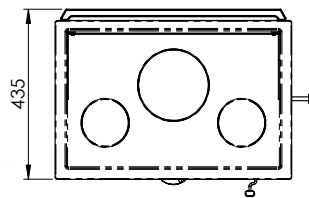
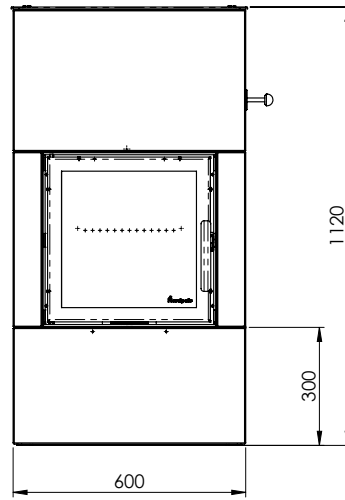


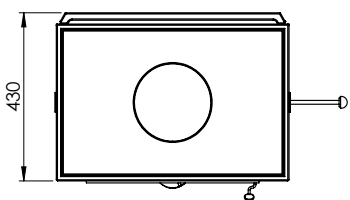
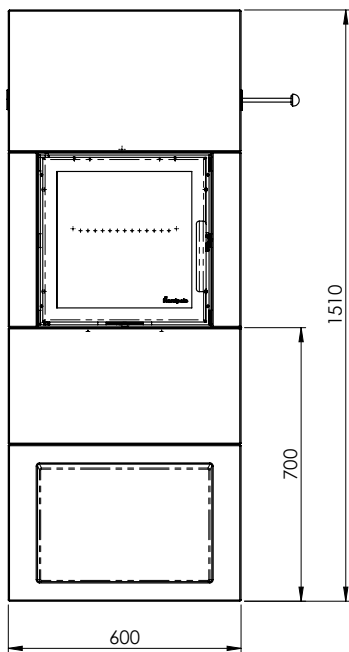
Salzburg S - concrete top plate



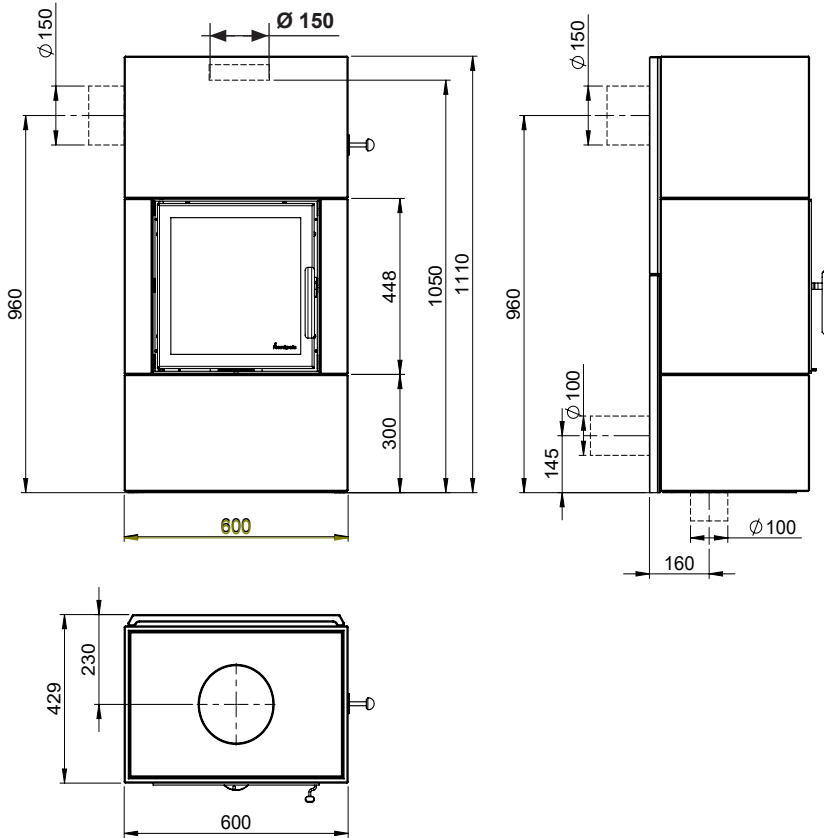
Salzburg S - hot top plate



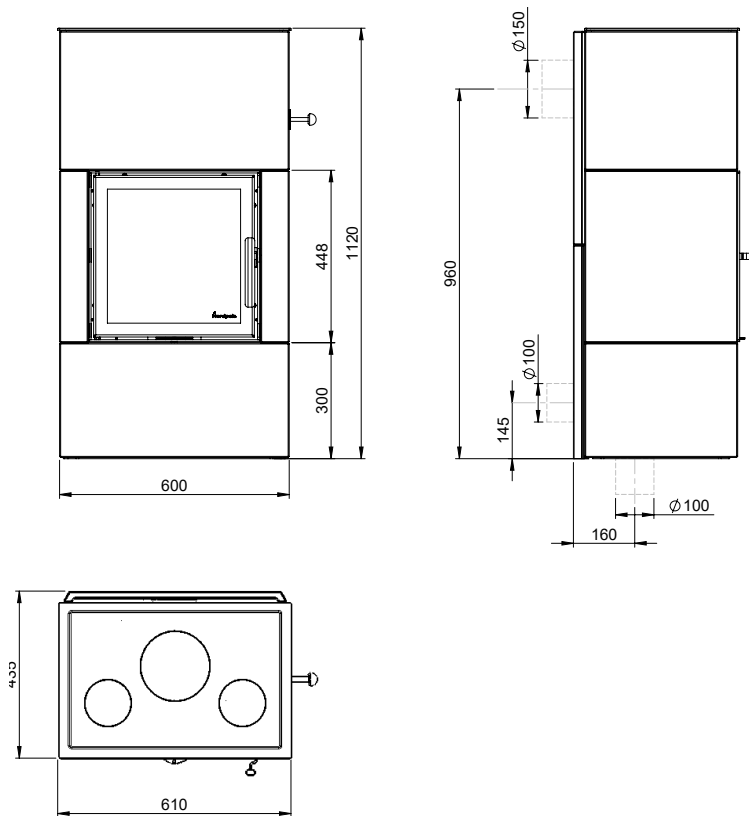
Salzburg S - concrete top plate / wood shelf



**Salzburg S - concrete top plate; Chimney / Air =mm**



**Salzburg S - hot plate; Chimney / Air =mm**



Salzburg S - concrete top plate with wood shelf; Chimney / Air =mm

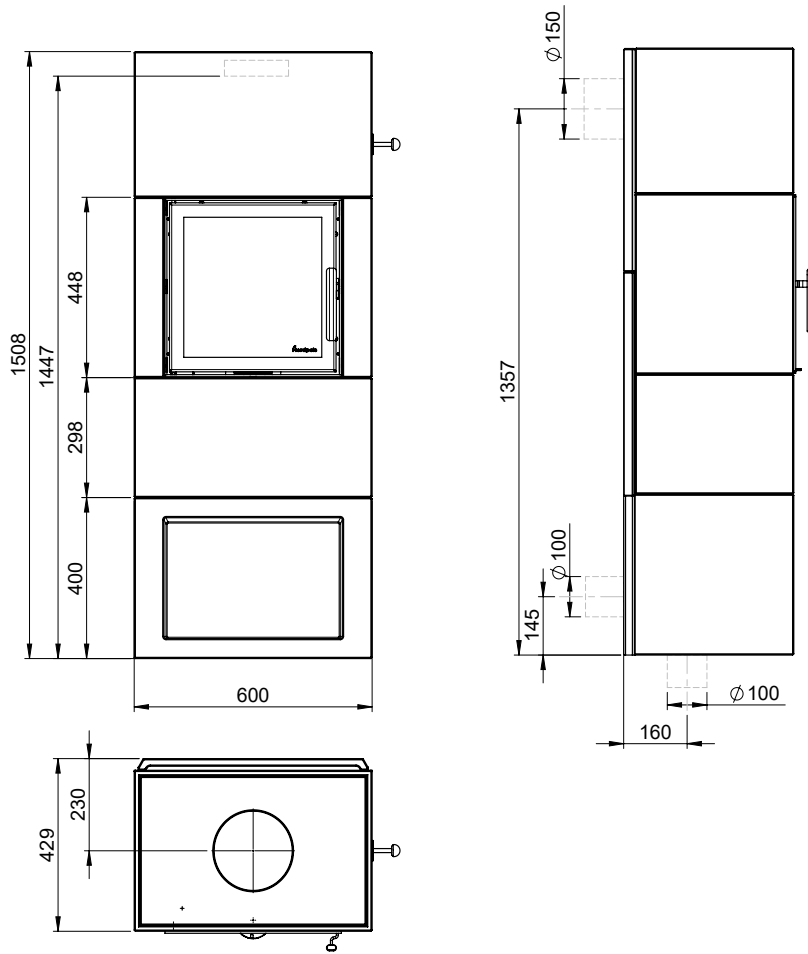


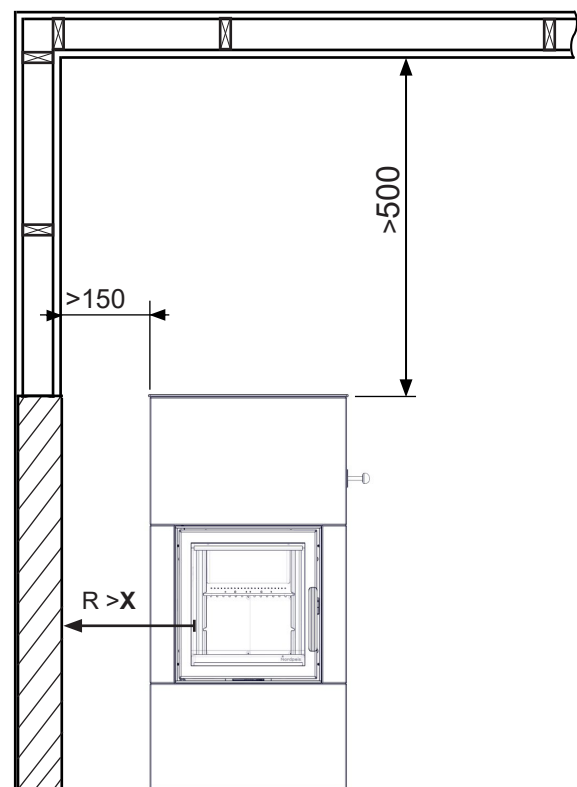
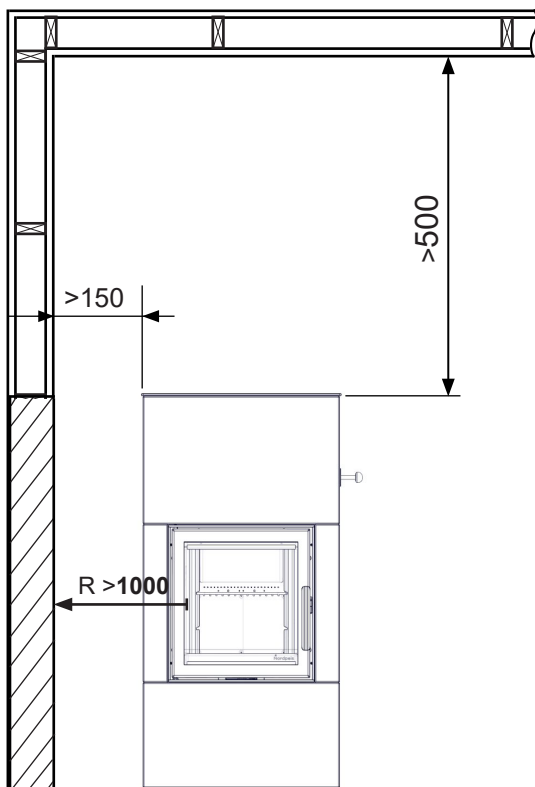
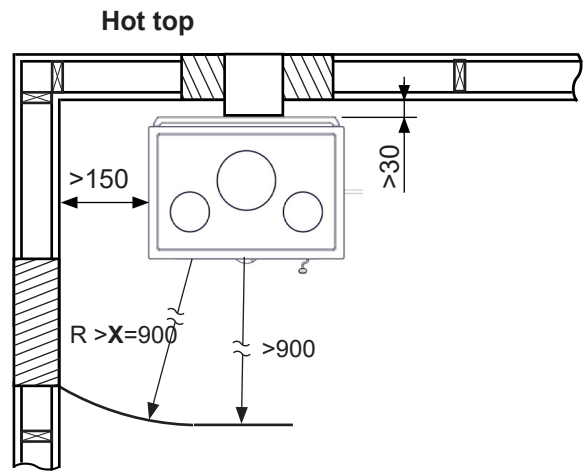
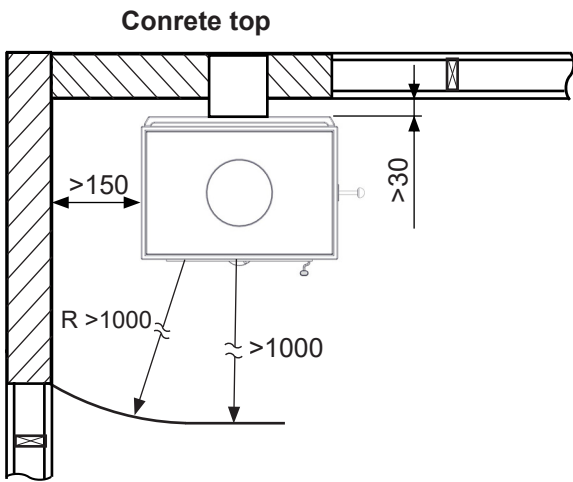
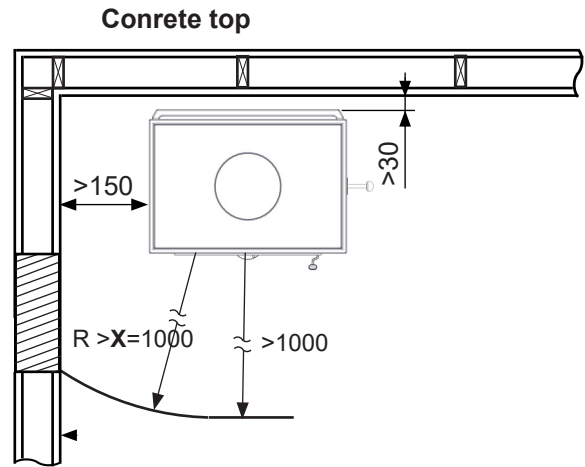
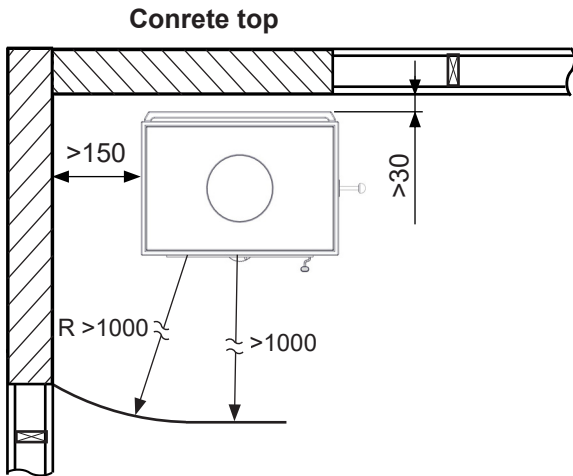




Fig 2

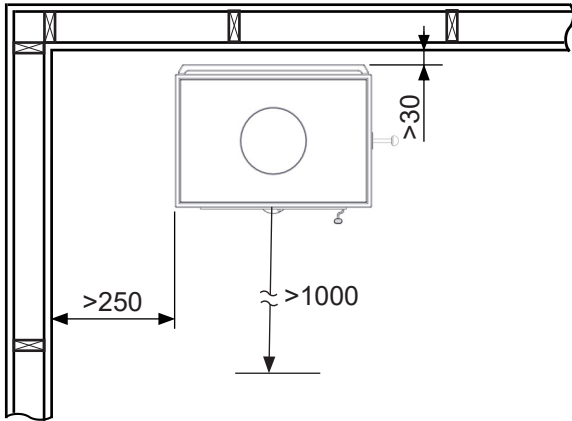
 =Brannmur/Brandmur/Palomuuri/Firewall/Mur parfeu/Hitzeschutzwand  
 =Brennbar materiale/ Brännbart material/ Tulenarka materiaali/Combustible material/



**Fig 2b**

 =Brannmur/Brandmur/Palomuuri/Firewall/Mur parfeu/Hitzeschutzwand  
 =Brennbar materiale/ Brännbart material/ Tulenarka materiaali/Combustible material/

**Concrete top**



**Hot top**

