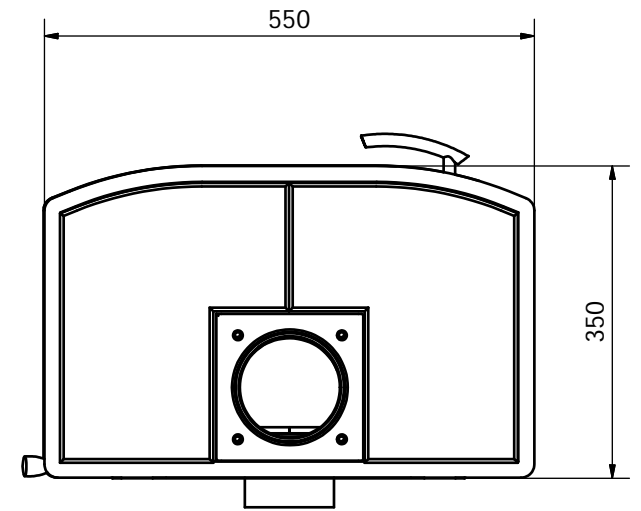
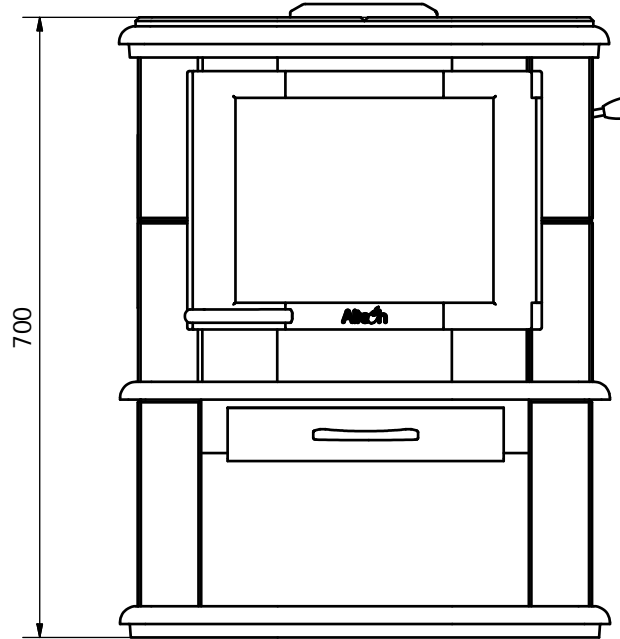
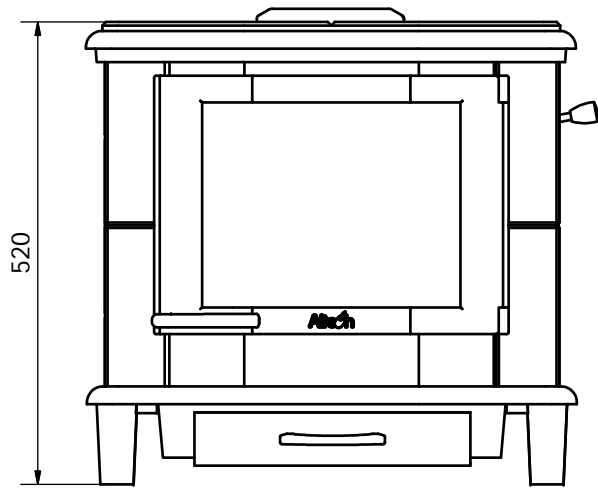


A (1 : 6)

A



Designed by klaas	Checked by	Approved by	Date	Date 19-9-2014	
			Compact		Edition
					Sheet 1 / 1