

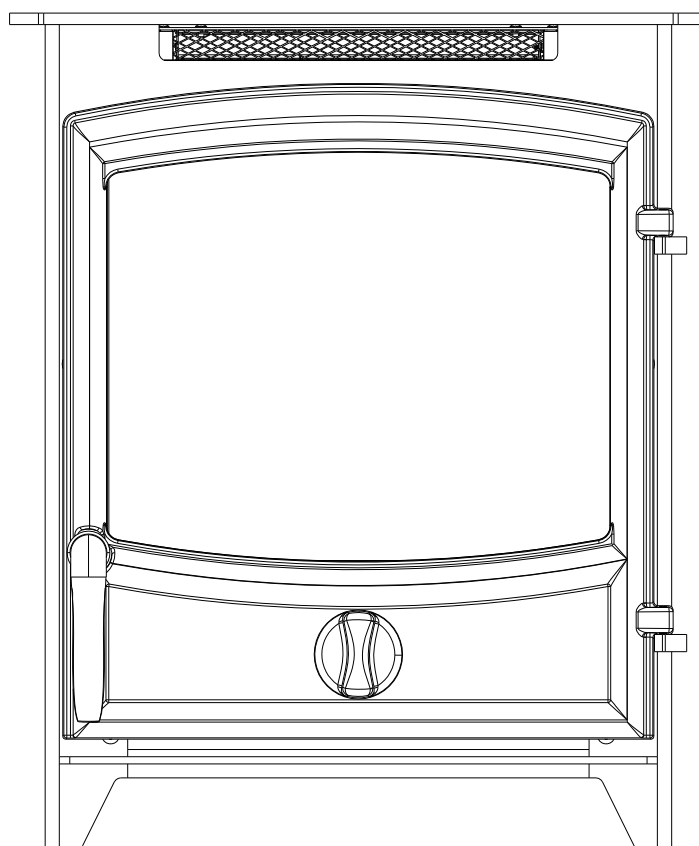
Homeowner's Installation Instructions & Operating Manual

Model: ES100

These Instructions cover Charlton & Jenrick
"E" Stove


Quality Products Produced by Charlton & Jenrick Ltd

Your product may differ slightly from this illustration



**Please read the instructions carefully before installation or
use of this electric fire and retained for future reference.**

IMPORTANT INFORMATION

- **Do not** use this heater in the immediate surroundings of a bath, a shower or a swimming pool.
- This heater must be earthed. If in any doubt consult a suitable competent person.
- In order to avoid a hazard due to inadvertent resetting of the thermal cutout, this appliance **must not be** supplied through an external switching device, such as a timer, or connected to a circuit that is regularly switched on and off by utility.
- This heater **must not be** located immediately below a socket-outlet.
- Children shall **not** play with the appliance.
- This appliance is **not** intended for use by persons (including children) with reduced physical, sensory or mental capabilities, or lack of experience and knowledge, unless they have been given supervision or instruction concerning use of the appliance by a person responsible for their safety.
- Cleaning and user maintenance shall **not be** carried out by children.
- The Fuel bed contains some small glass beads which could be harmful to children if swallowed, it is recommended that these are not used if children can access this appliance
- Some parts of this product can become very hot and cause burns. Particular attention has to be given where children and vulnerable people are present.
- The meaning of figure  in marking is “**WARNING: DO NOT COVER**”.
- If the power cord is damaged, it **must be** repaired by the manufacturer, its authorized service centre or a professional person.

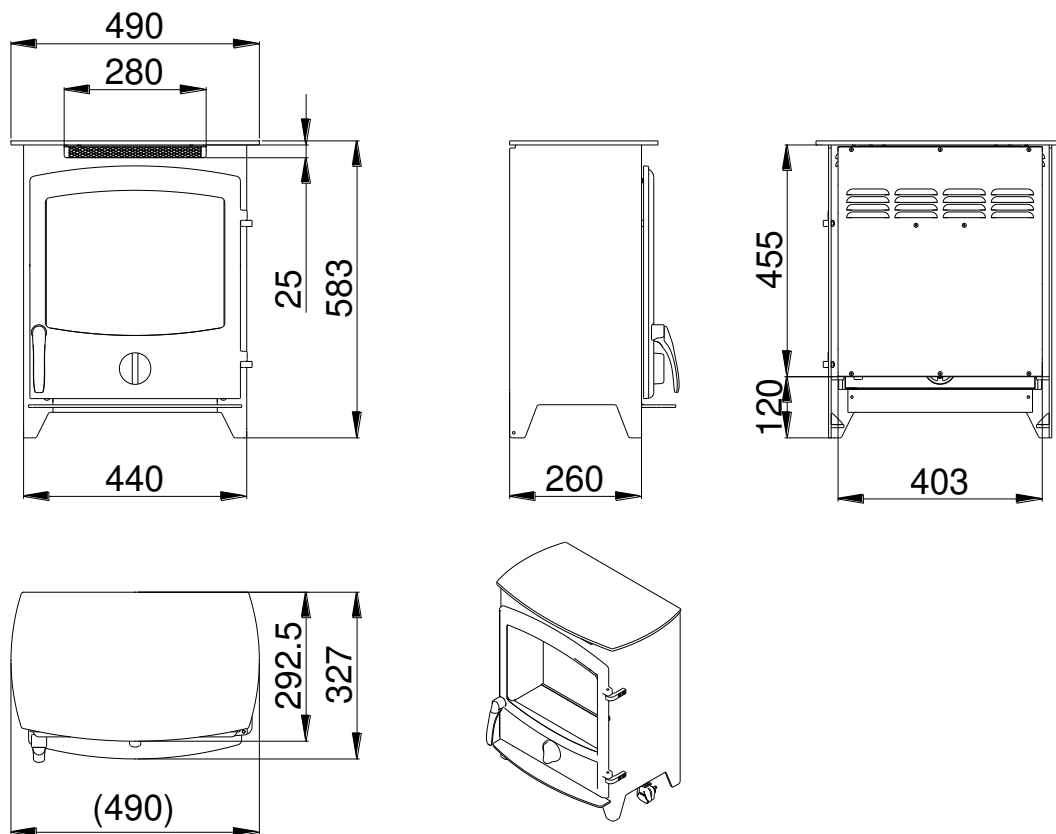
APPLIANCE DATA

Supply Voltage	AC 220-240V, 50Hz
Heating Element	2000W
Mains Cable	1 x 1.8m (approx)

TYPICAL FUEL BED ARRANGMENT



DIMENSIONS : Units in mm



PARTS AND HARDWARE LIST

Part	Quantity
Stove with insert	1pc
Instruction Manual	1pc
Remote Control	1pc
AAA Battery	2pcs
Vermiculite	1pack
Clear Stones	1pack
Imitation Logs	4 pcs

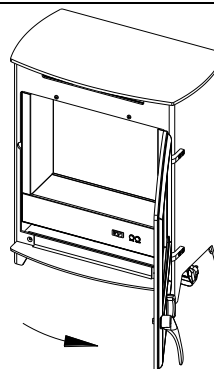
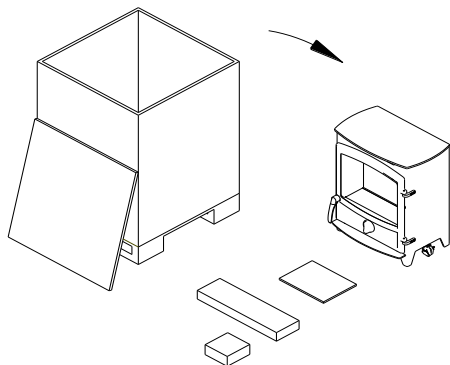
INSTALLATION

NOTE:

Do Not use this Electric Stove if any part has been under water. Immediately call a qualified service technician to inspect and to replace any part of the electrical system if necessary. Keep plastic wrapping away from children.

- Unpacking the heater carefully, make sure that the appliance is intact with no signs of damage caused by transport. If in doubt, do not use the appliance and contact an authorised service centre. Please save the original packaging as this may be required in the event of a service complaint with the product.
- Make sure that the plug or switched fused spur is accessible after the electric fire is fitted.
- If the supply cord is damaged, it must be replaced by a special cord or assembly available from the manufacturer or its service agent.
- Before connecting the appliance make sure that its rating corresponds to that of the mains supply and the fuse is the correct rating.
- The appliance should be located close to a suitable mains socket or fused spur to enable connection and isolation. The electrical socket must be easily accessible to allow disconnection.

Installation of stove:



Step1: Unpack and take away the stove and parts.

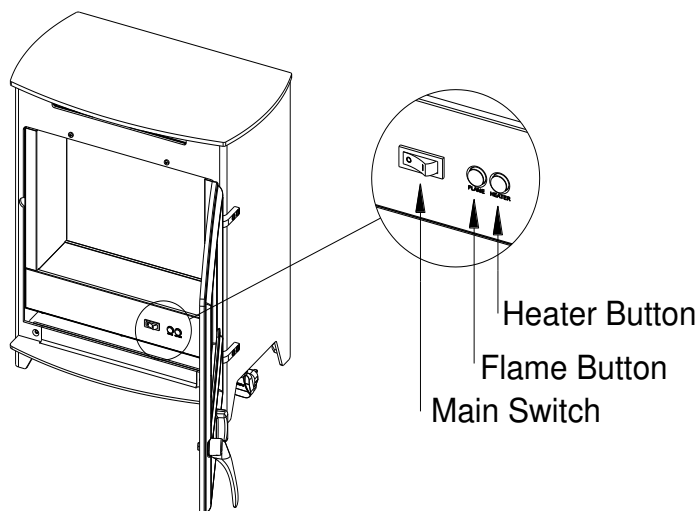
Step2: Put the stove in the required position. Adjust feet to ensure it is level. Open the door of the stove and arrange the **vermiculite, clear stones** and **imitation logs** on the plastic surface in a pleasing arrangement of your choice. See Typical Fuel Bed Arrangement for a guide

OPERATION

This appliance can be operated by both remote control and manual button. Once the unit has been properly connected to an earthed electrical outlet, turn on the main switch. A beep should be heard when the power is first applied.

NOTE: To use both remote and manual functions the main on/off switch must be in 'on' position.

Operating by Manual Button



NOTE: The flame will always operate when the appliance is turned on.

Main switch

The main switch supplies power to all of the functions of the fireplace. This switch must be in the "ON" position for any of the functions including the remote to operate.

Flame button

By pressing the FLAME button, the unit will cycle through four flame effects.

Heater button

Press once turns Fan on, and 10s later Low heat on. (Pilot lights illuminated ●○)

Press again turns on High heat. (Pilot lights illuminated ●●)

Press third time turns heat off. 10s later fan off (Pilot lights illuminated ○○)

There are 3 levels you can cycle through including the OFF setting.

Multifunction Infrared Remote Handset.

To Reset the Heater




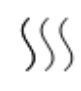


Your heater includes a protection system that shuts off the heater if it overheats for any reason:

- 1) Turn unit to off.
- 2) Unplug unit wait 5 minutes.
- 3) Plug in and turn on.

● **Operating by Remote Handset**

In order to protect the product from becoming too hot, there is a 10s delay when turning on the heater; also there is a 10s delay when turning off the heater fan.

- **Make sure the batteries are installed properly in the remote control.**
- **The effective range of the remote control is up to 4 meters or 13 feet.**

	ICON	TITLE	FUNCTION
		POWER	Press once turns appliance and flame effects on. Press again turns appliance and flame effects off.
		FLAME	The fire has four flame effects, by pressing the flame effect button the unit will cycle through each effect.
		HEATER	Press once turns Low heat on. (Pilot lights illuminated ●○) Press again turns High heat on (Pilot lights illuminated ●●) Press third time turns heater off. (Pilot lights illuminated ○○)
		TEMP	Digital display shows the TEMP setting 23°C (default), with 14 settings circle from "OFF", "16°C" to "28°C". The TEMP will increase by 1°C up to 28°C when pressed each time. By pressing the TEMP for 3S, the digital display can show between °C and °F.
		TIMER	Cycles from OFF, 0.5H, 1H, 2H, 3H, 4H, 5H, 6H, 7H, 8H, to 9H.

MAINTENANCE



Warning: Before any maintenance and/or cleaning the exterior of the fireplace, disconnect the unit from the power supply and leave until cooled off.

Remote Handset Battery Replacement

Replace with two AAA batteries. Make sure the batteries are installed correctly in the remote control.

Maintenance of Motors

The motors used on the fan and flame effect are pre-lubricated for extended bearing life and require no further lubrication. However, periodic cleaning/vacuumping of the fan/heater unit is recommended.

Resetting the Thermal Cutout Switch

The appliance is fitted with an Electronic Safety Control (E.S.). This is a safety device, which switches off the fire if, for any reason, the appliance overheats, e.g. when covered. If the heater stops operating whilst the flame effect continues normally, this indicates that the E.S. Control is in operation. The E.S. Control can only be re-set after the appliance has cooled down, in order to re-set the E.S. Control proceed as follows:

- Switch off the appliance (Manual On/Off switch) and leave for approximately 10-15 minutes.
- Remove any obstruction to the fan heater outlet or fan blades etc. Make sure that the power supply is disconnected at the plug socket outlet whilst you do this.
- Switch on appliance and the E.S. Control will re-set.
- Ensure that the appliance is functioning correctly. If the E.S. Control operates again, the appliance should be checked by a competent Electrician.

Cleaning the Fireplace

You can clean the exterior of the fireplace with a soft, damp, lint-free cloth. Do not use cleaning or polishing products. To remove fingerprints or other marks on the front glass panel, use a soft, damp, lint-free cloth with a good quality household glass cleaner. The front glass panel should always be completely dried with a clean, lint-free cloth or paper towel.



Caution: Do not use abrasive cleaners on the glass panel. Do not spray liquids directly onto any surface of the unit.



Warning: An authorized service representative should perform any other servicing.

Environment



Meaning of crossed –out wheeled dustbin:

Do not dispose of electrical appliances as unsorted municipal waste, use separate collection facilities. Contact your local government for information regarding the collection systems available. If electrical appliances are disposed of in landfills or dumps, hazardous substances can leak into the groundwater and get into the food chain, damaging your health and well-being. When replacing old appliances with new ones, the retailer is legally obligated to take back your old appliance for disposals at least free of charge.



This appliance complies with the European Safety Standards (LVD) EN 60335-2-30 and the European Electro Magnetic Compatibility (EMC) EN 55014-1, EN 55014-2 and EN 61000-3-2 and EN 61000-3-3 which covers the essential requirements of the EC Council Directives and 2004/108/EC.