

Installation distances

C130

The minimum distance in front of the stove opening to combustable parts of the building or interior decoration must be at least 1,2 m.

The dimension diagrams only show the minimum permitted installation distances for the stove. **The distances to combustable wall in the diagram is valid for twin wall flue only.** When connecting to a steel flue, also note the safety distance requirements of the flue. The safety distance between an uninsulated flue and a combustable part of the building should be at least 500 mm.

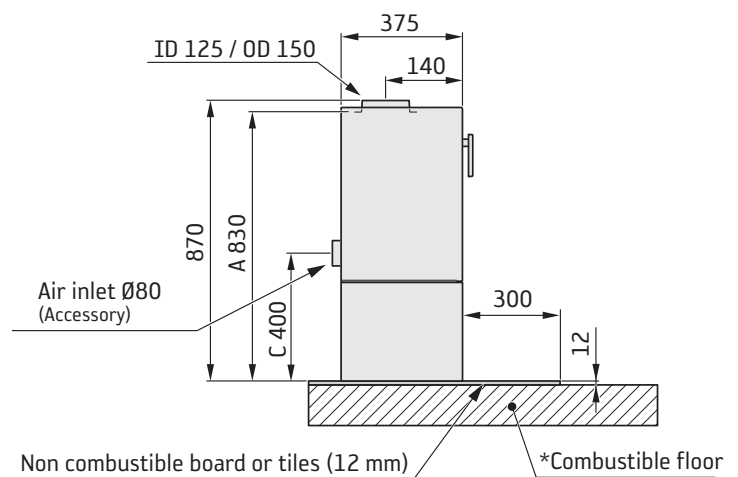
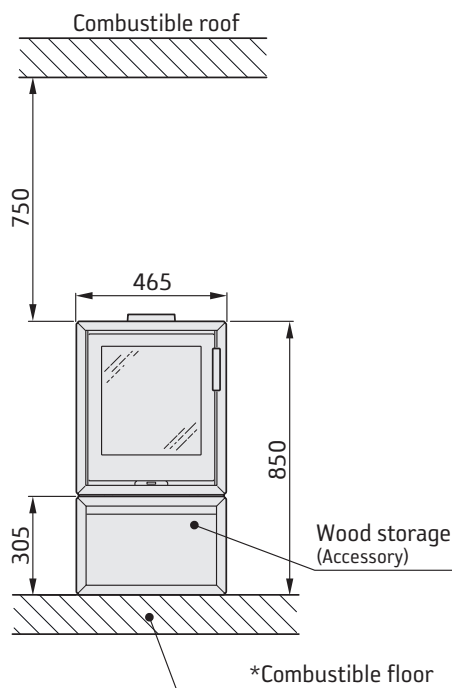
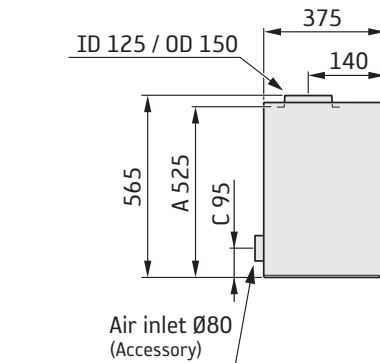
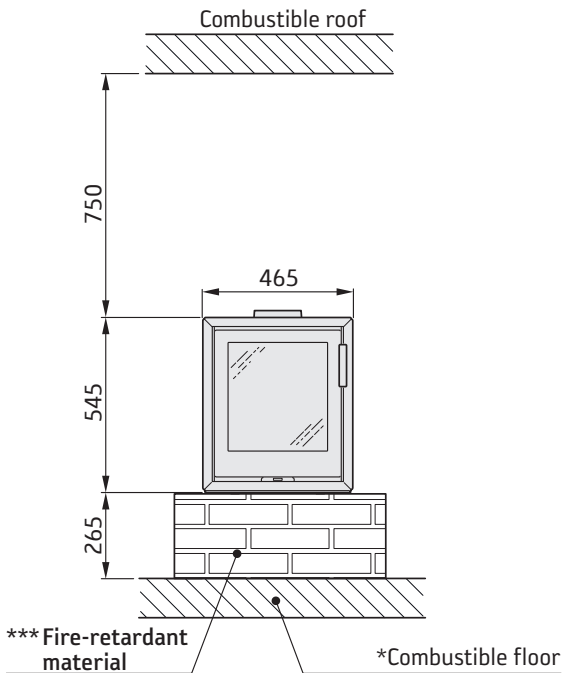
If the appliance will be placed on the floor it must stand on a constructional hearth which meet the building regulations. The constructional hearth must meet the minimum dimensions, 150 mm on each side and 500 mm in front of the appliance.

A = height to chimney connection upwards

C = height to air inlet

ID (Inner diameter)

OD (Outer diameter)



* Protected with 12 mm non-combustible material according to Building regulations for England.

** To prevent discolouration of painted non-flammable walls we recommend that the same side distance as to combustable walls is used.

*** Example of an approved material are solid bricks or 100 mm aerated concrete.