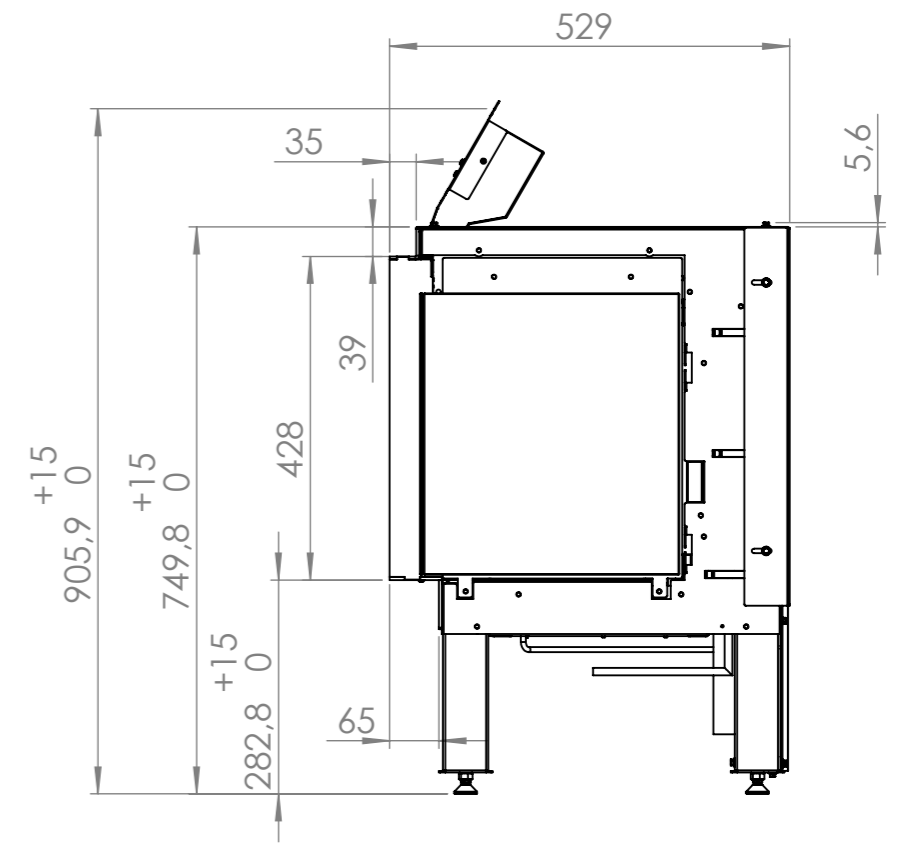
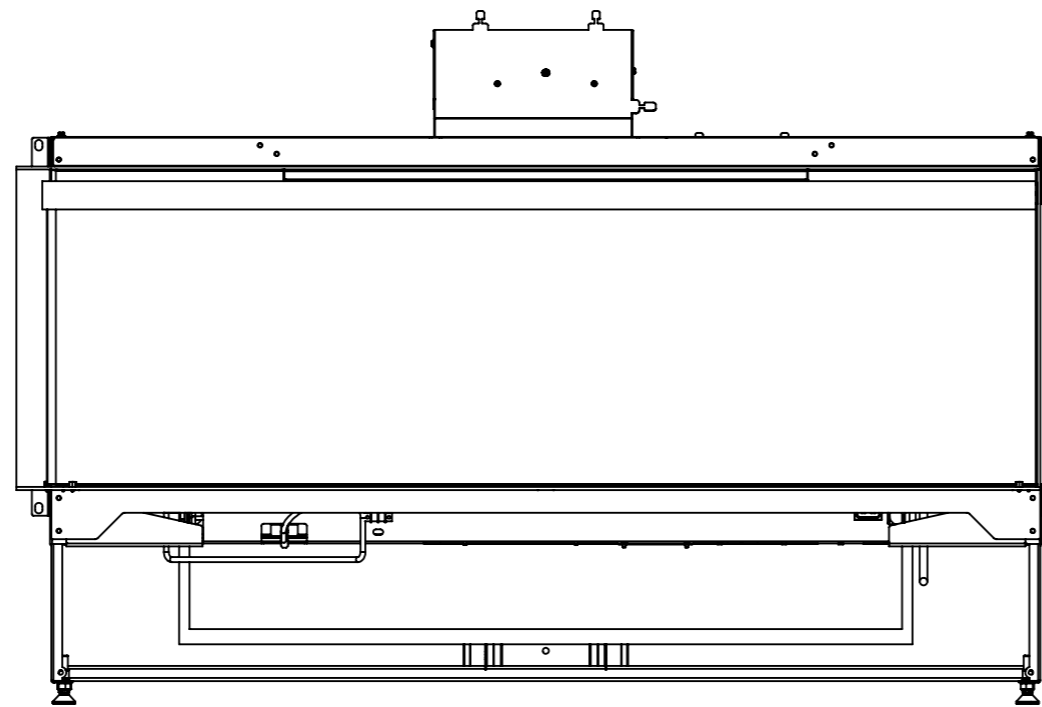
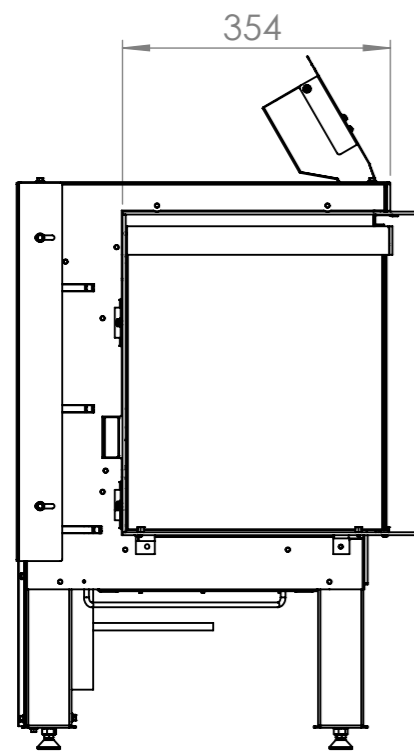
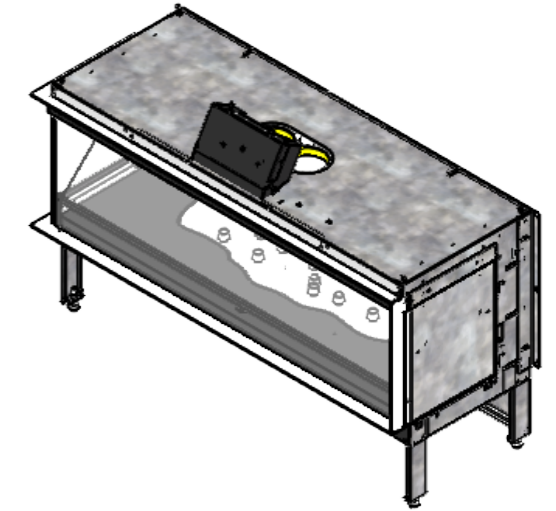
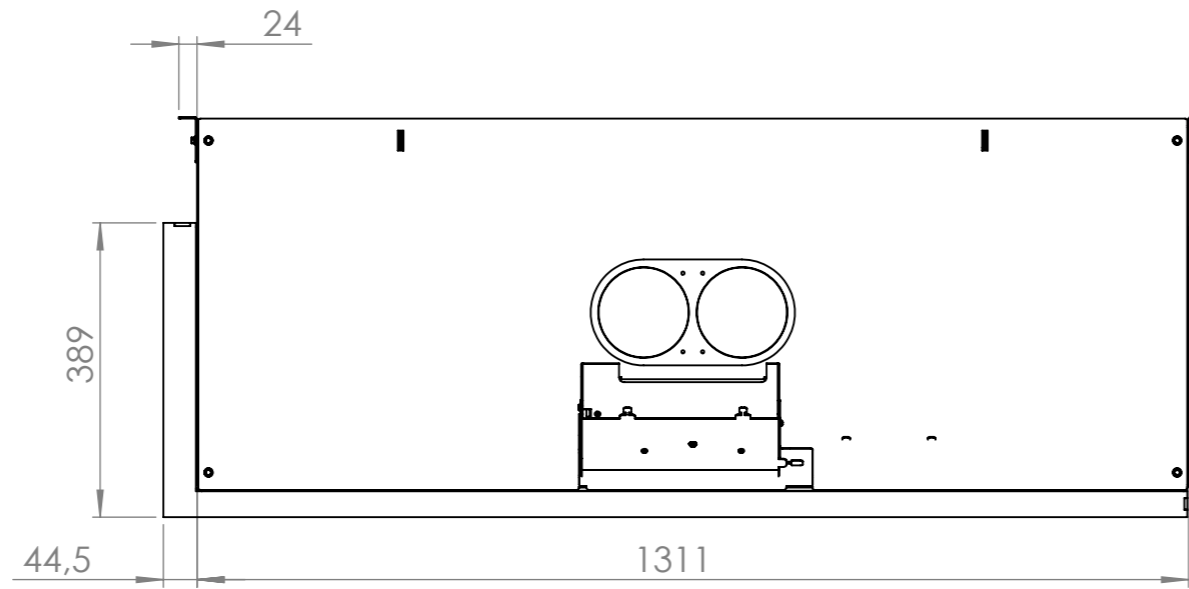



Config: corner left



ISO 2768-mK		Treatment:				
Third Angle Projection ISO 128-Method A		Material:				
	Mass (Kg):	Date:	Author:	Scale:	Page:	Dimensions:
	137.64	5-4-2022	RS	1:10	1/4	mm
KALFIRE FIREPLACES		Description:				
		E-ONE 130 3S ASSY				
Document Number:				Revision:	Frame_size:	
KF02931				01	A3	
All rights reserved. Copywrited / Reprints prohibited. Kal-fire BV					State : In Progress	